

Cerutti SPA
ZP91



A



B



C



D



E



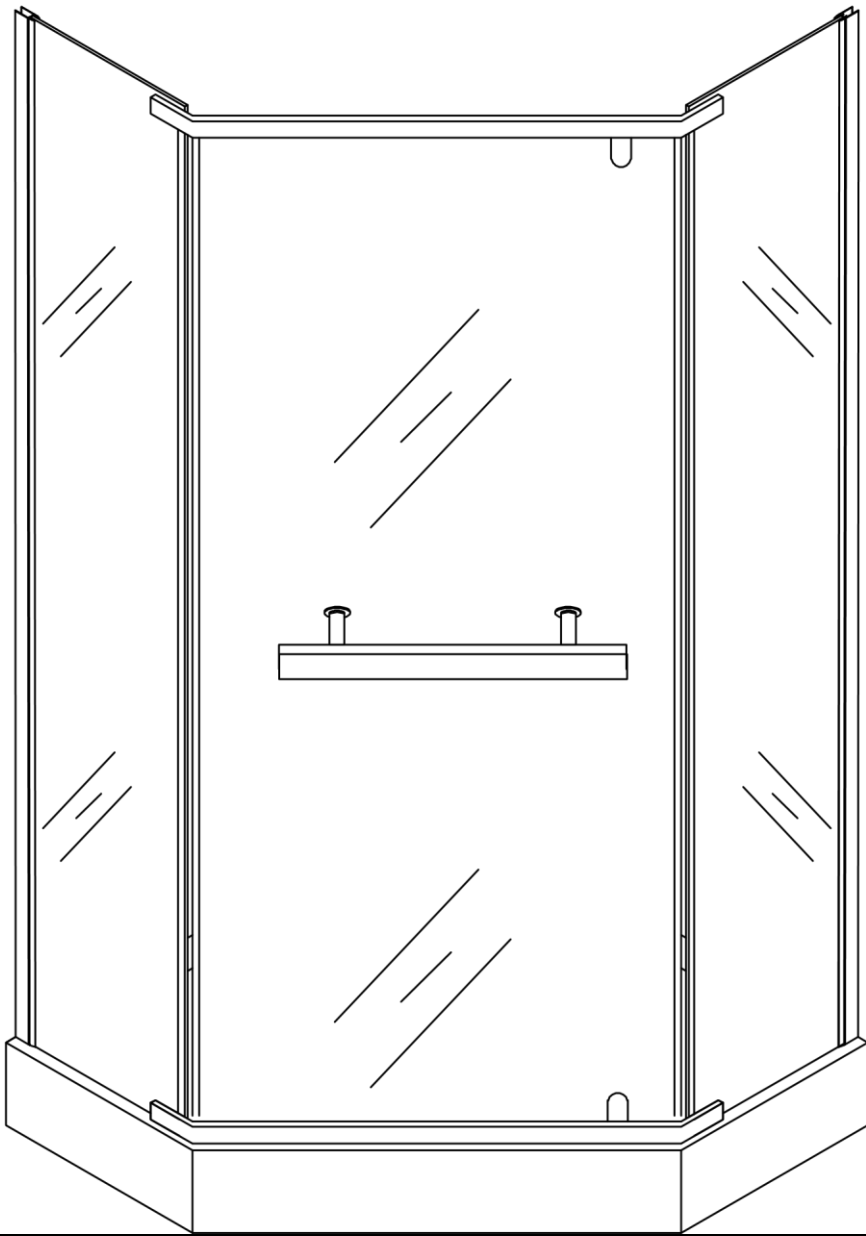
F



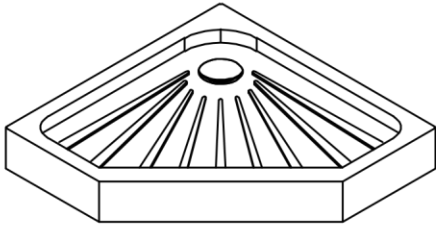
G



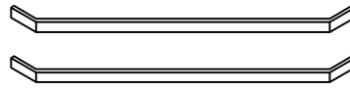
H



1/2



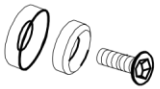
[1]x1



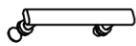
[2]x2



[3]x2



[4]x4



[5]x1



[6]x6



[7]x6



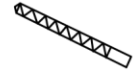
[8]x8



[9]x8



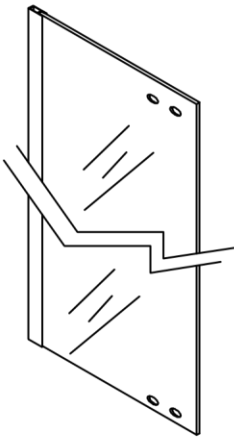
[10]x1



φ2.8

[11]x1

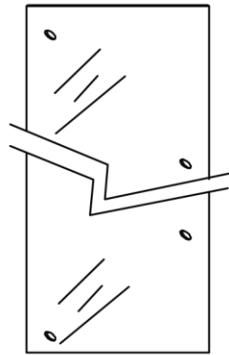
2/2



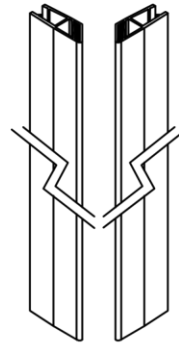
[12]x2



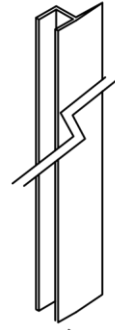
[13]x2



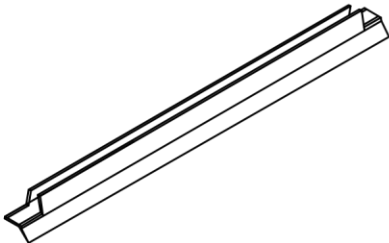
[14]x1



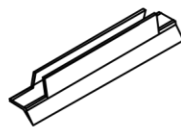
[15]x1



[16]x1

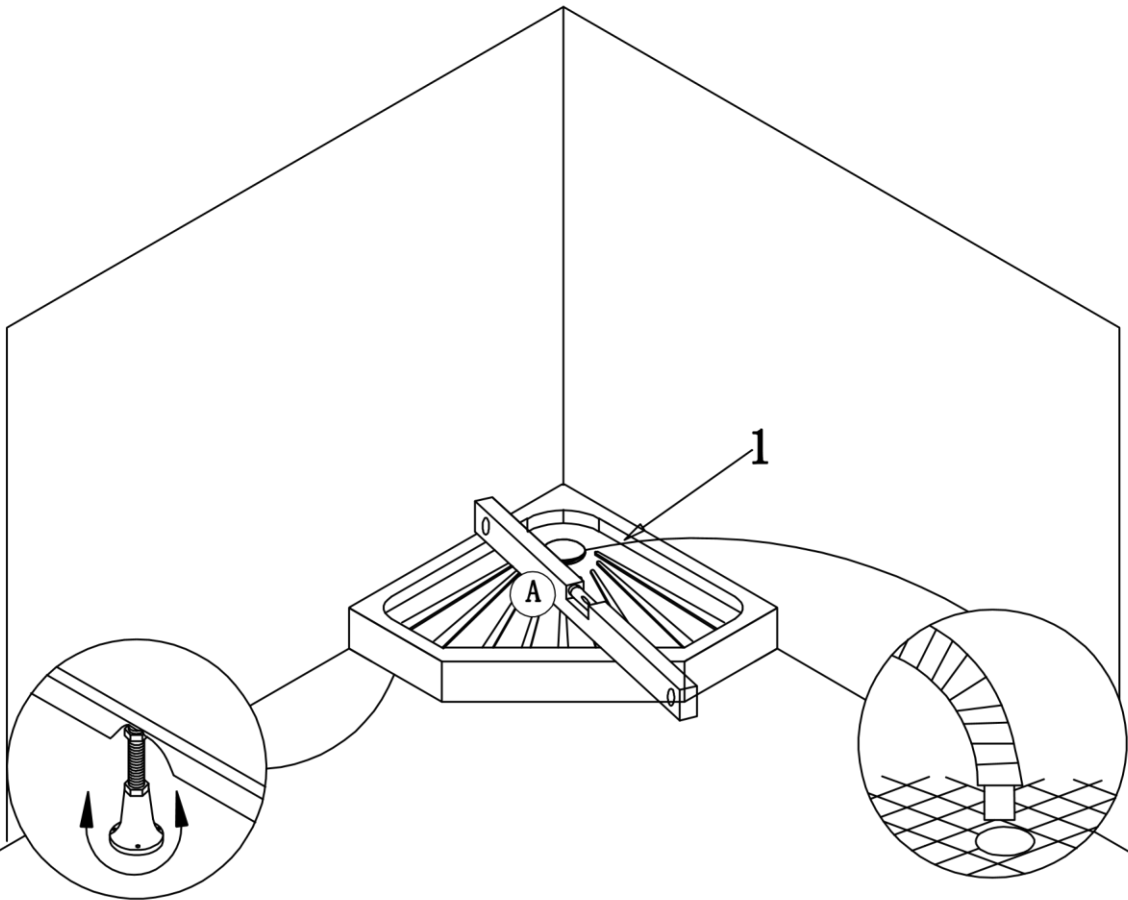


[17]x1

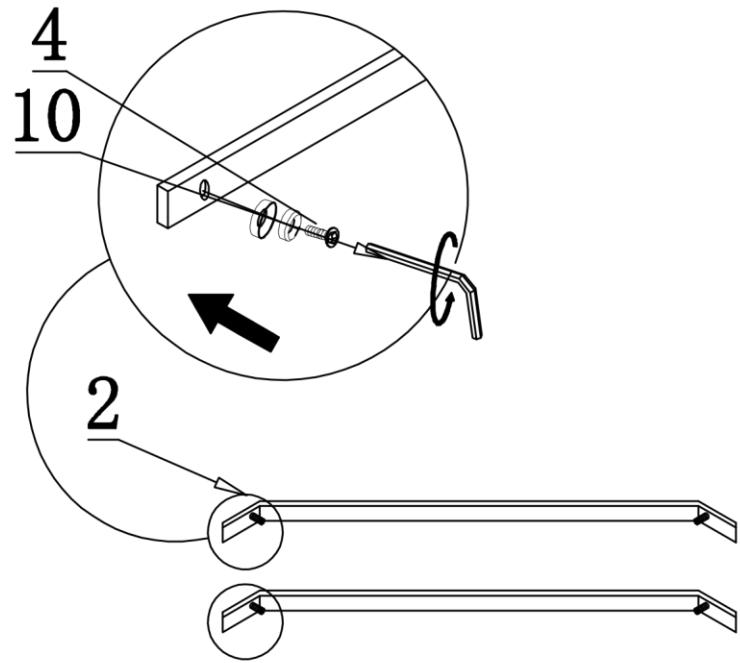


[18]x1

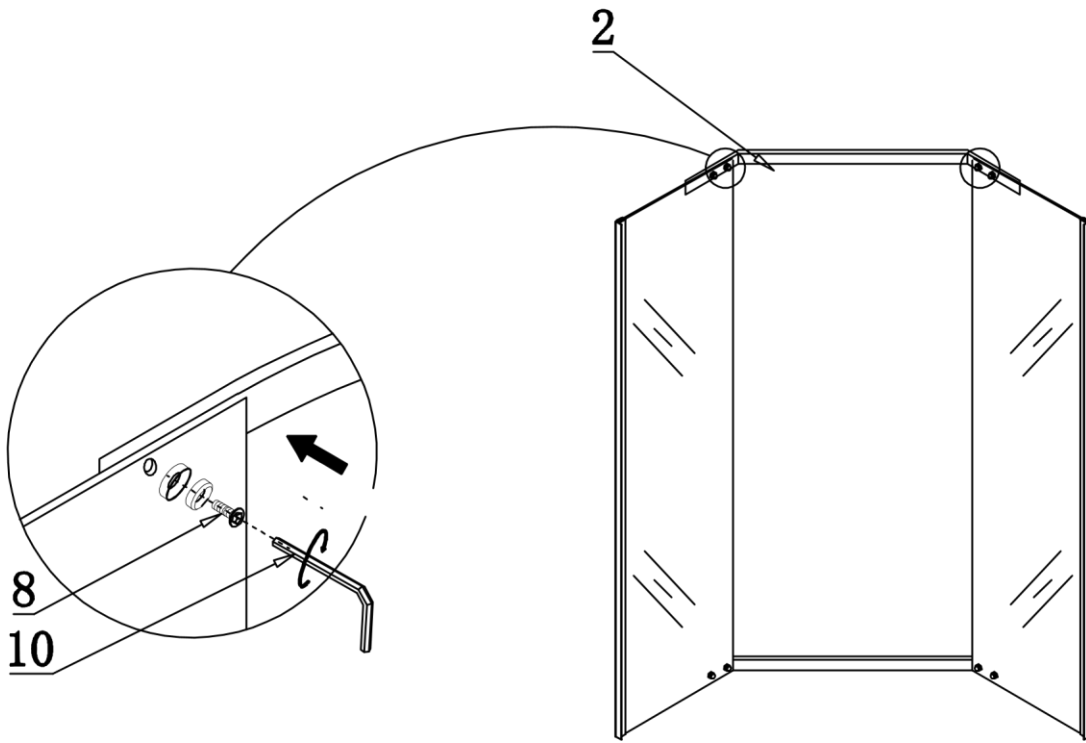
step1:



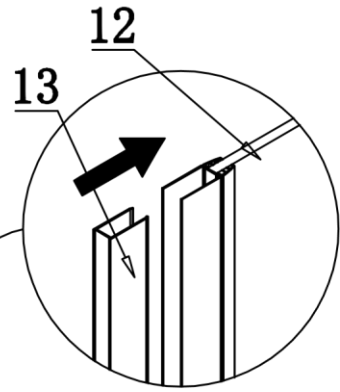
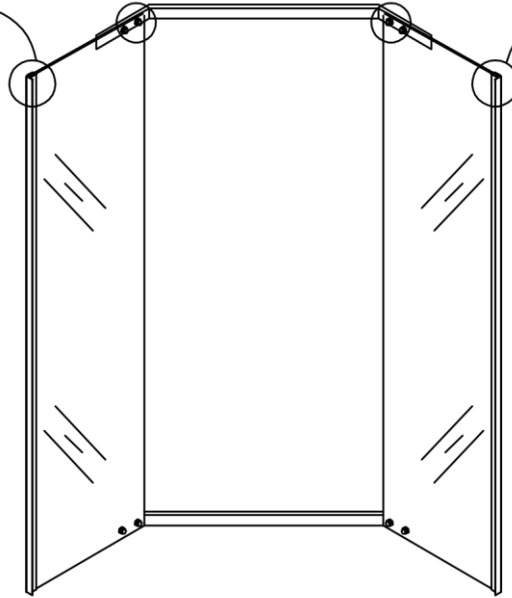
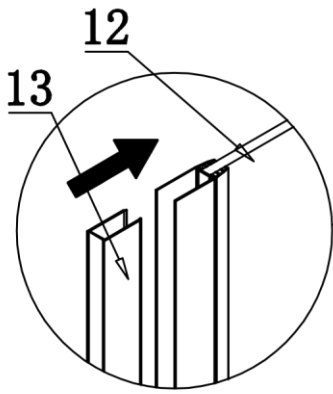
step2:



step3:

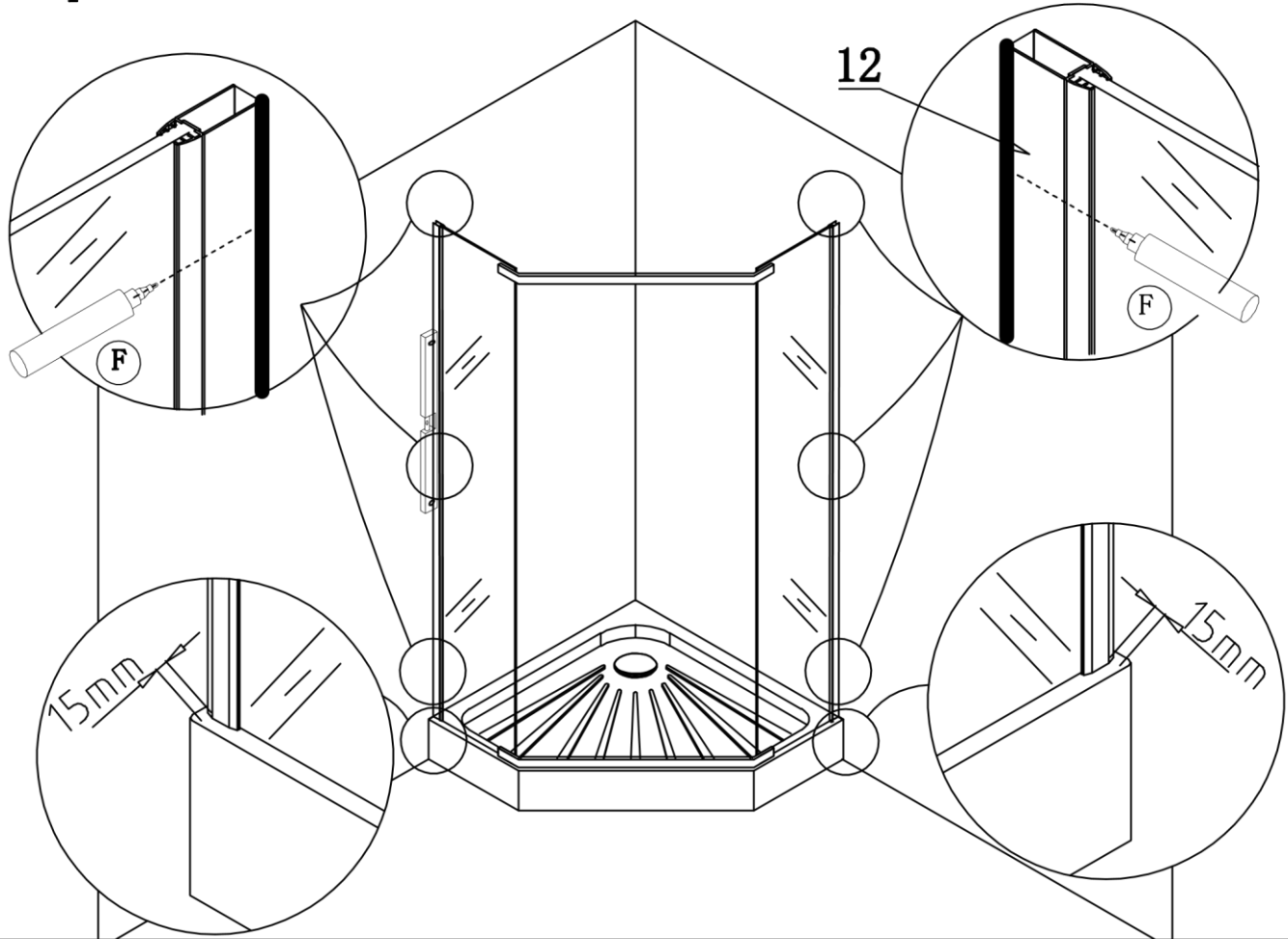


step4:

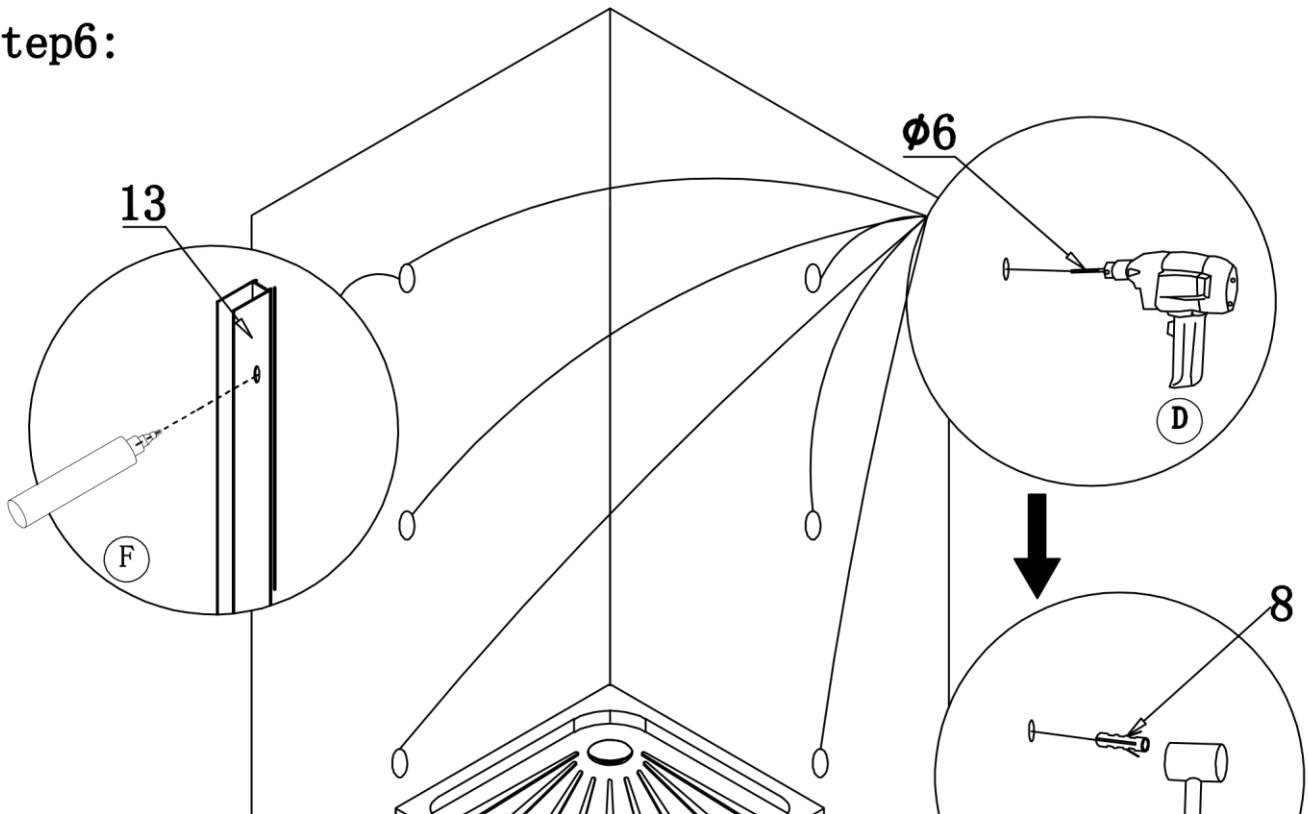


③

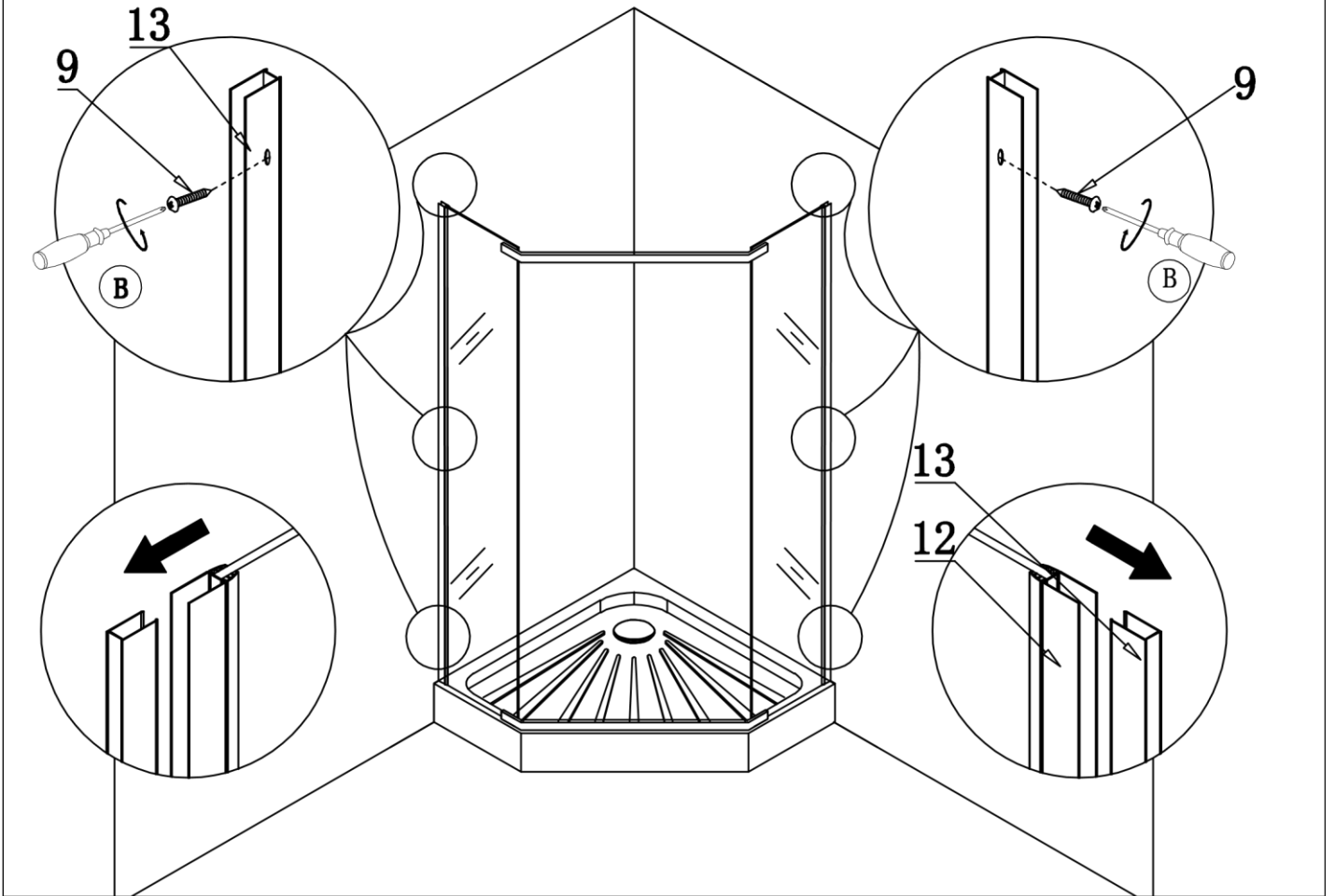
step5:



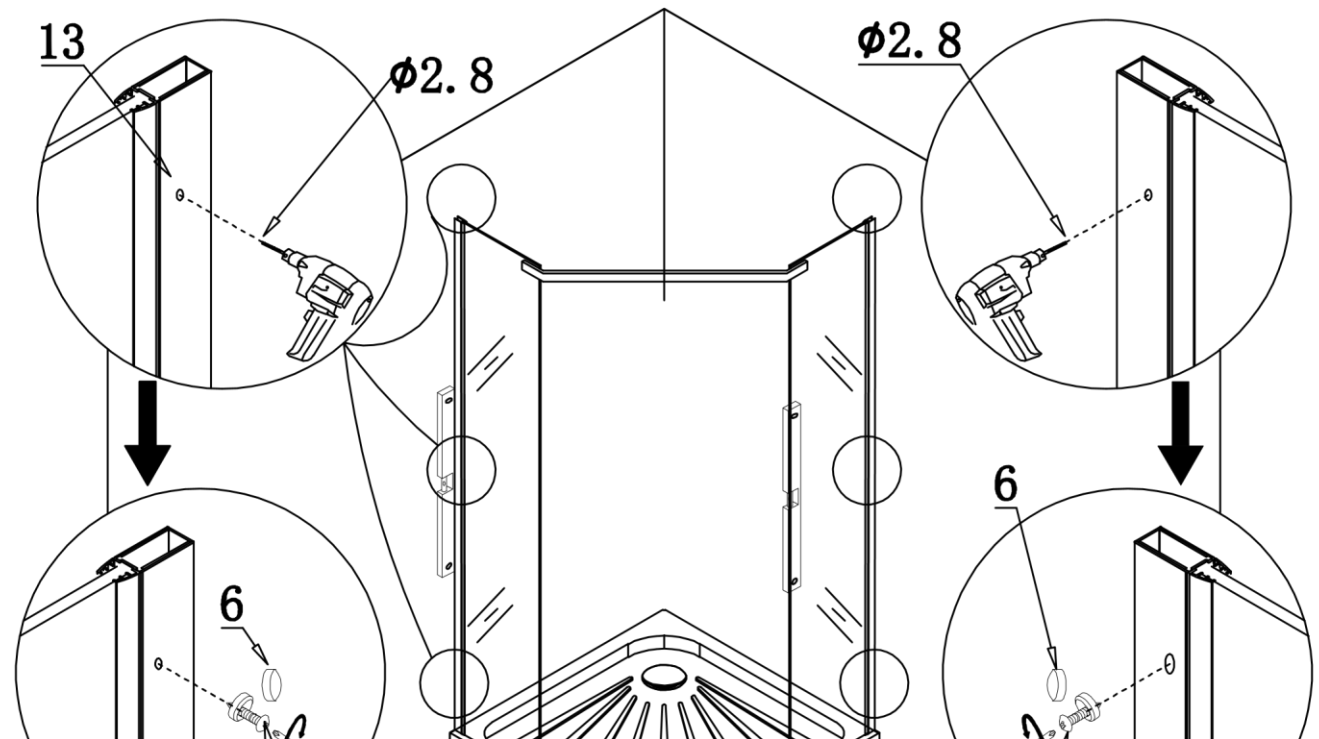
step6:



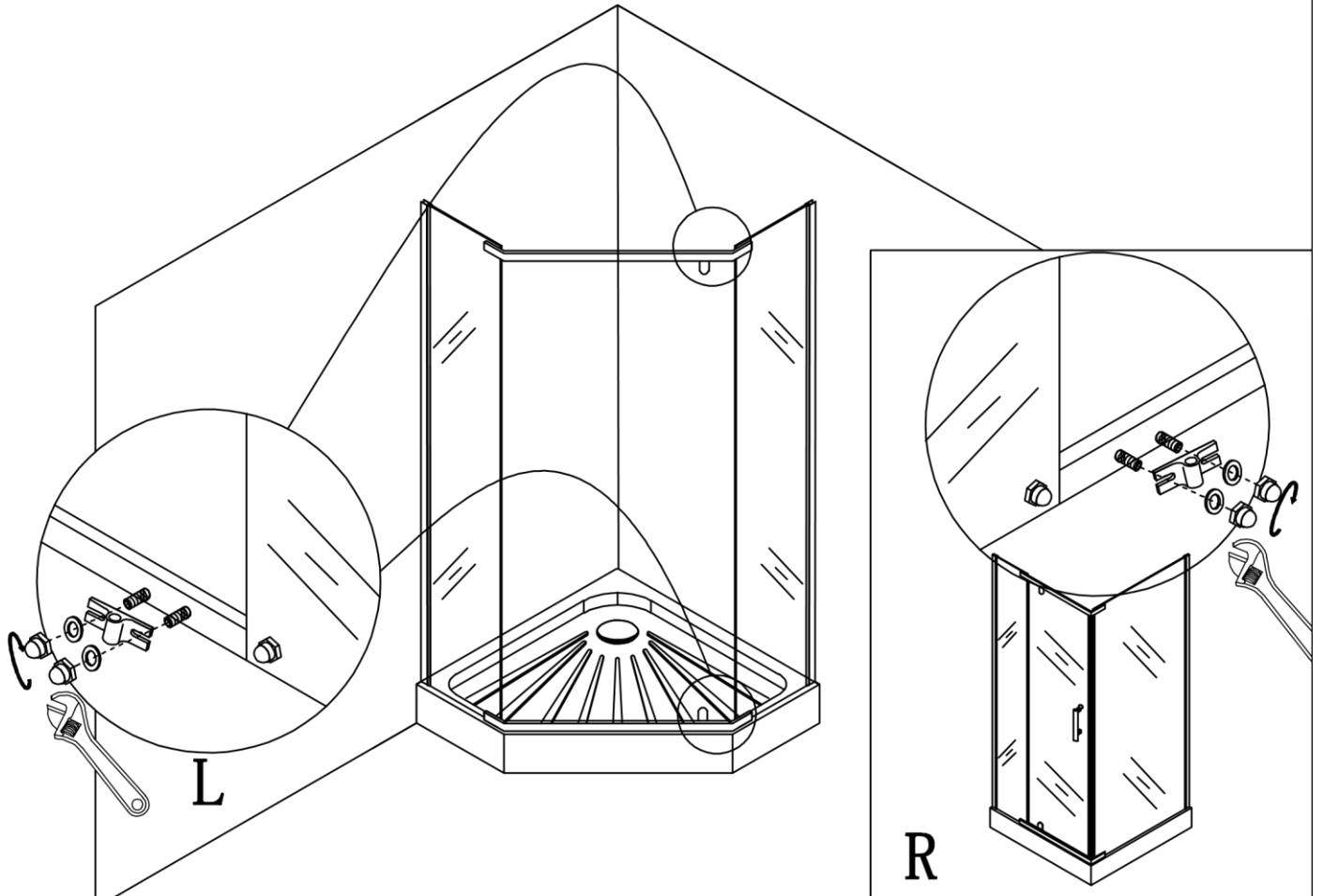
step7:



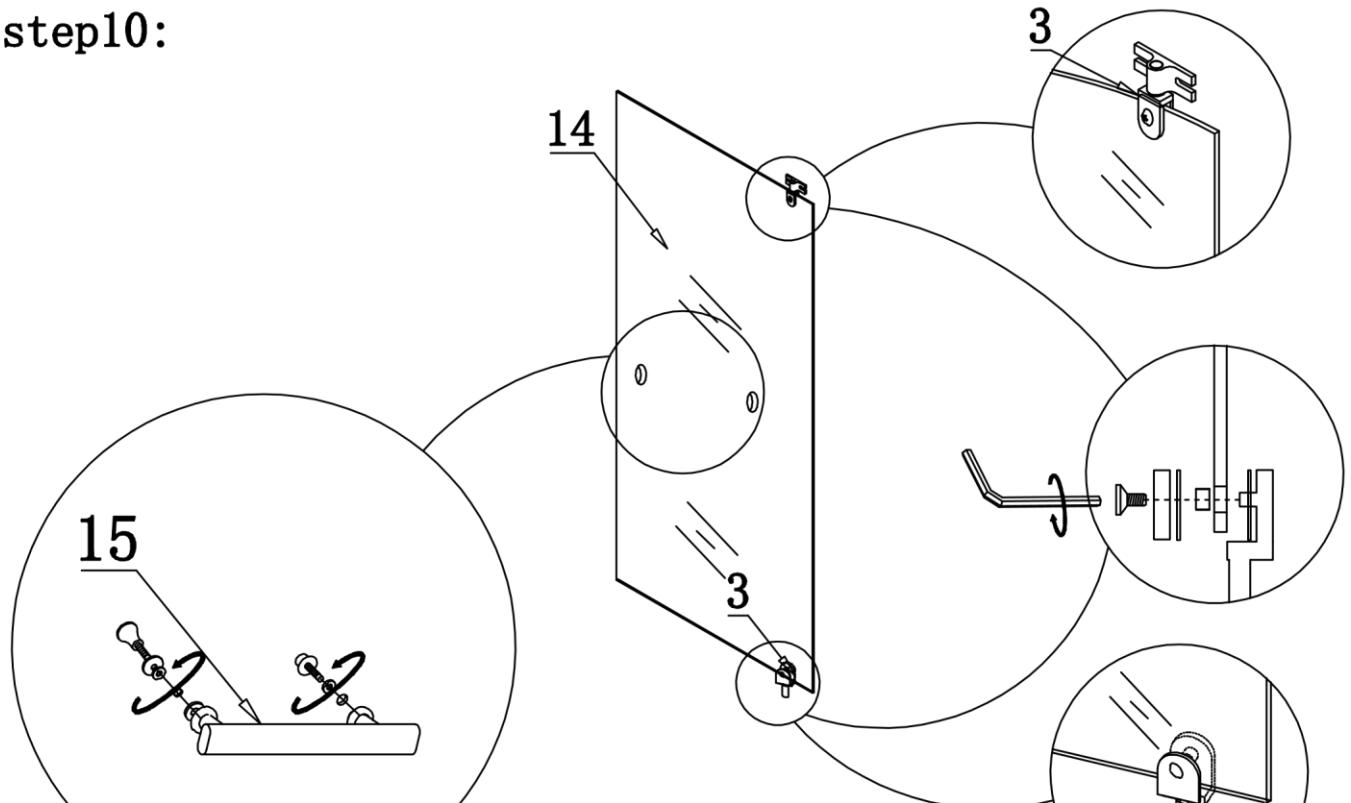
step8:



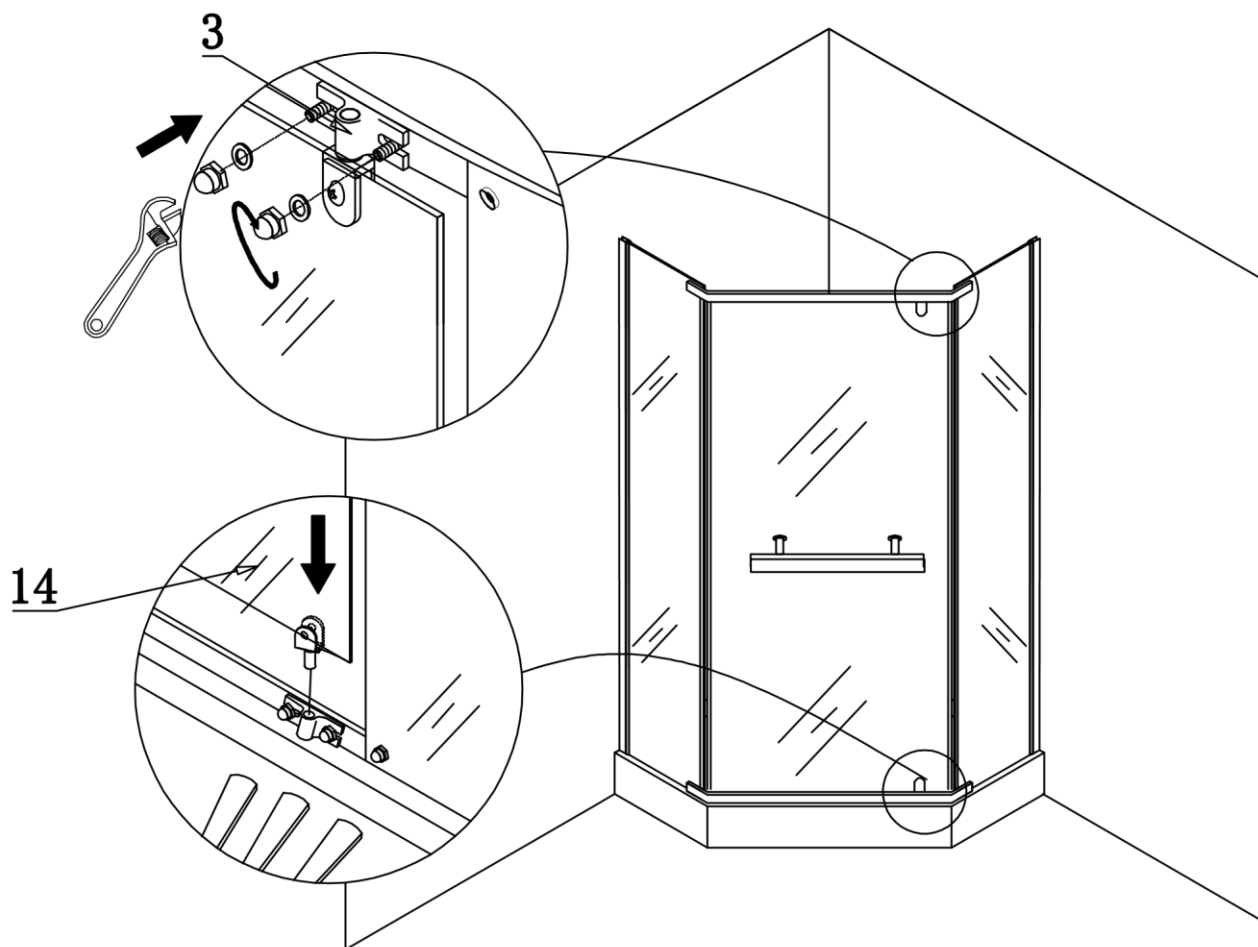
step9:



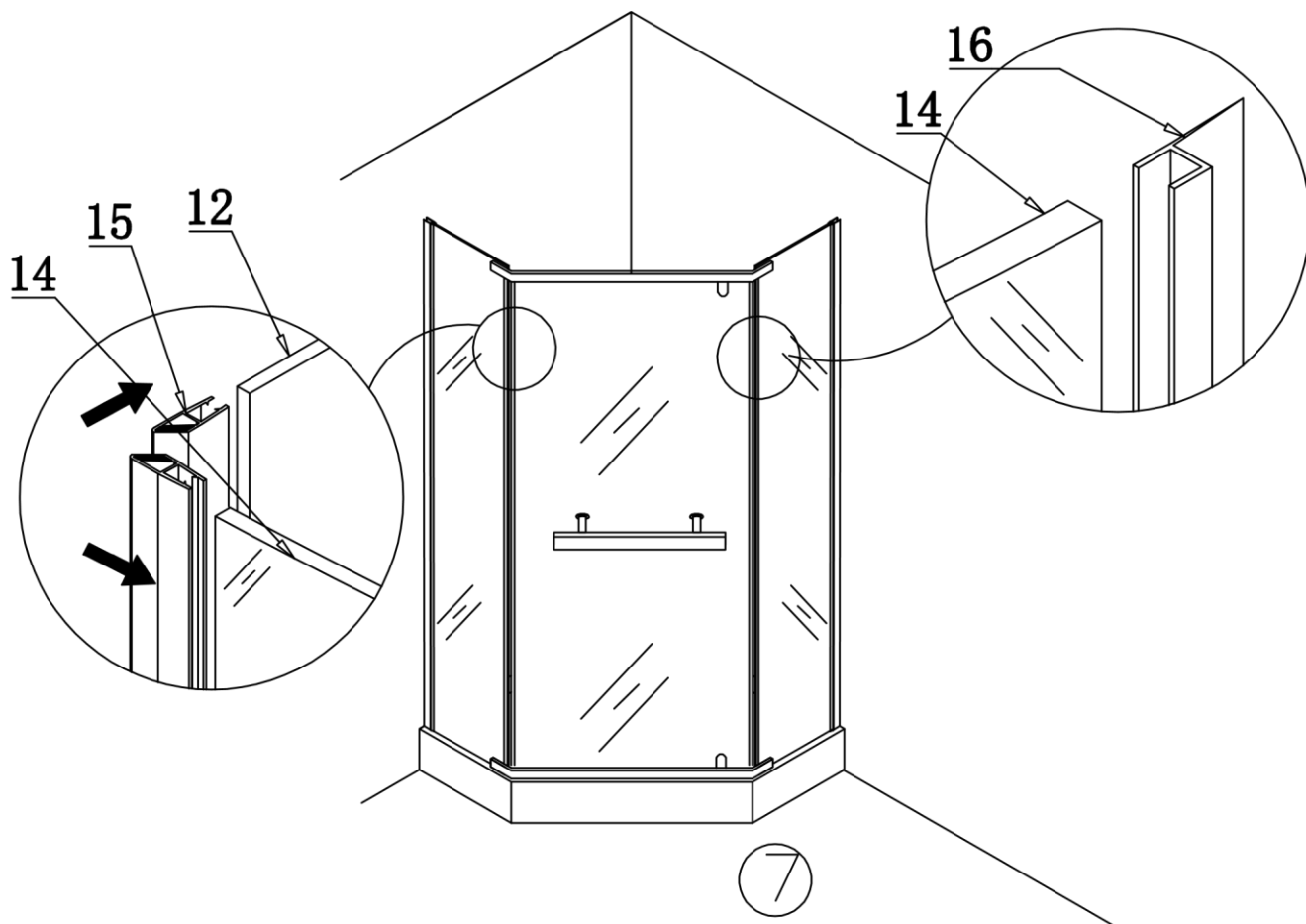
step10:



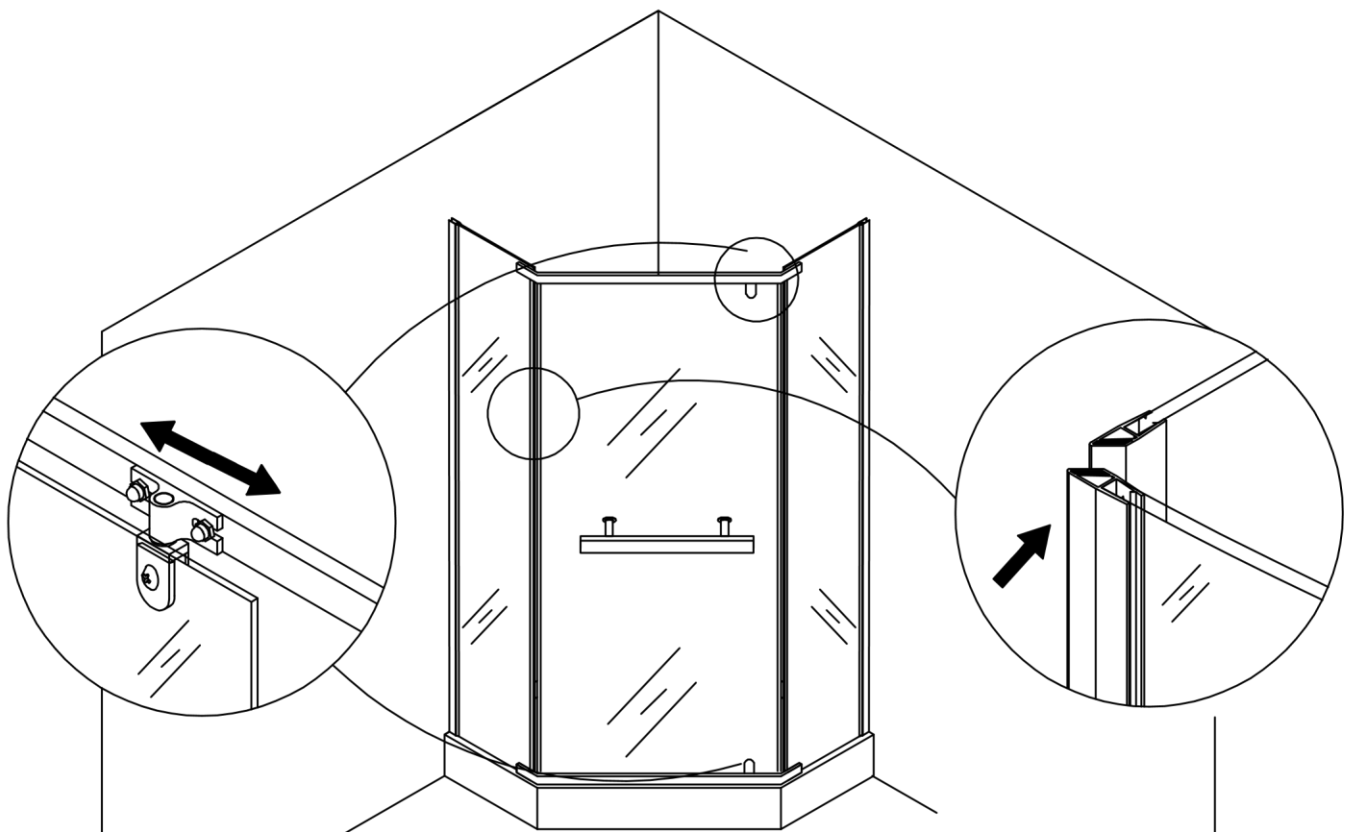
step11:



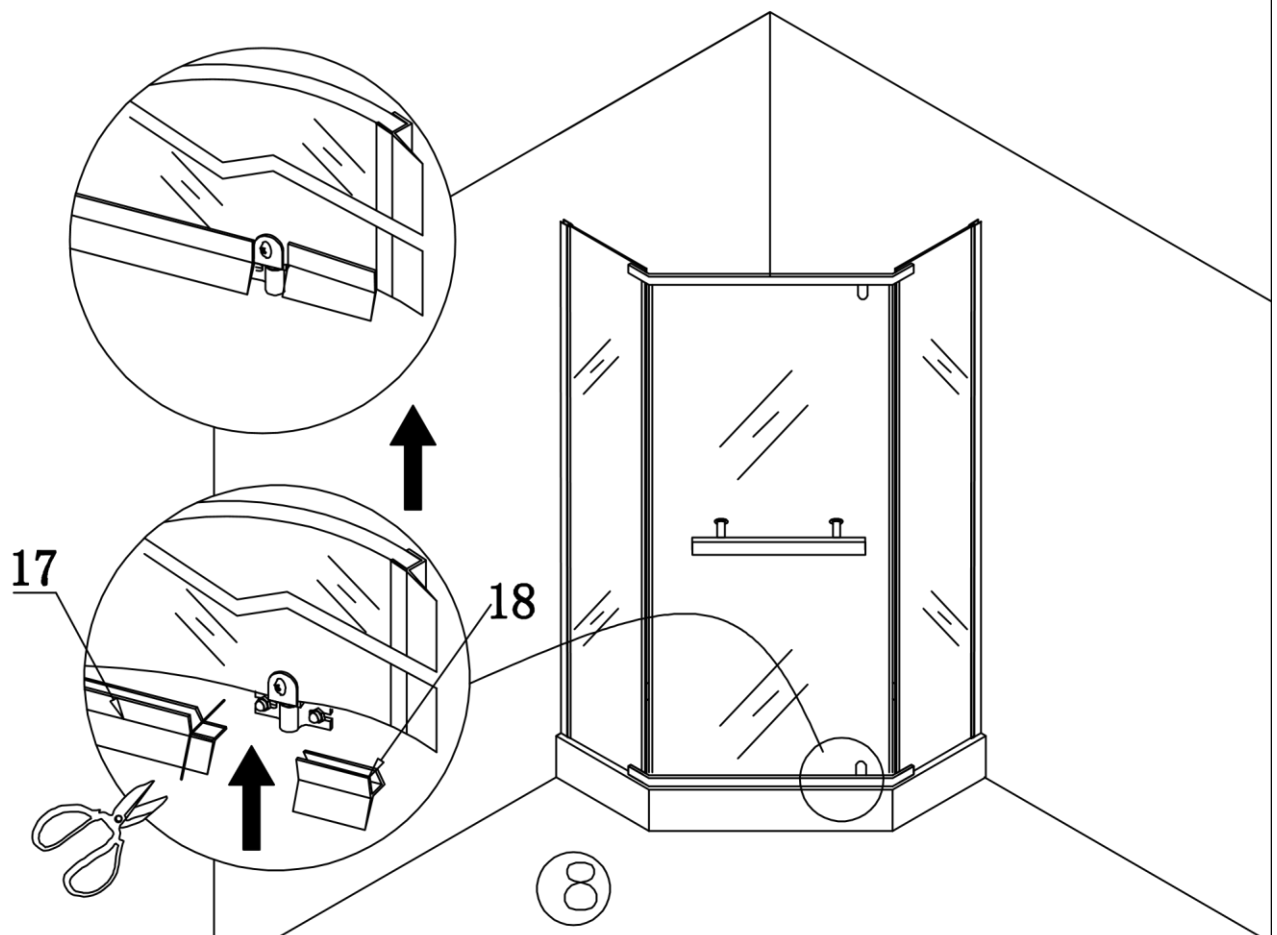
step12:



step13:



step14:



step15:

