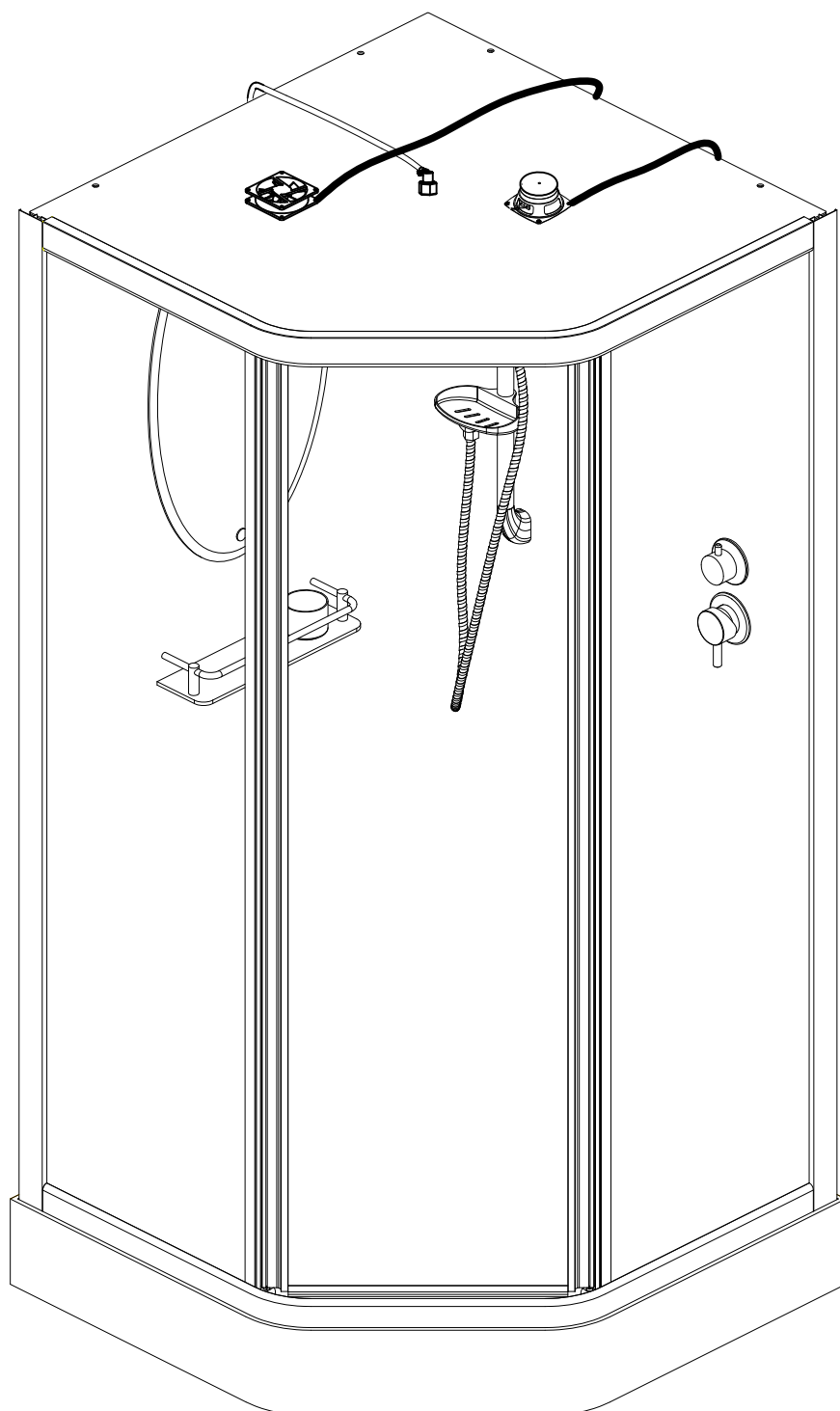
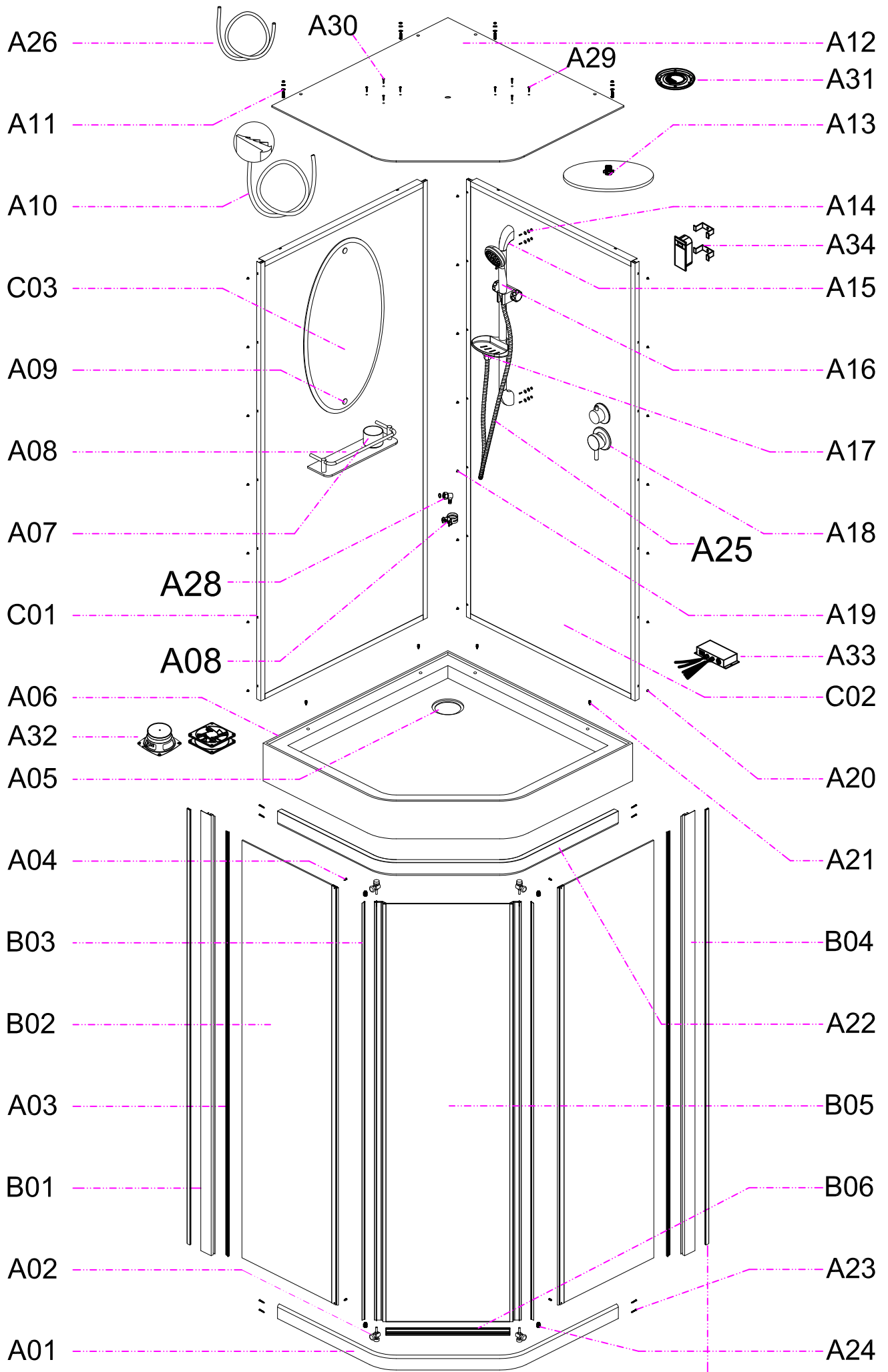
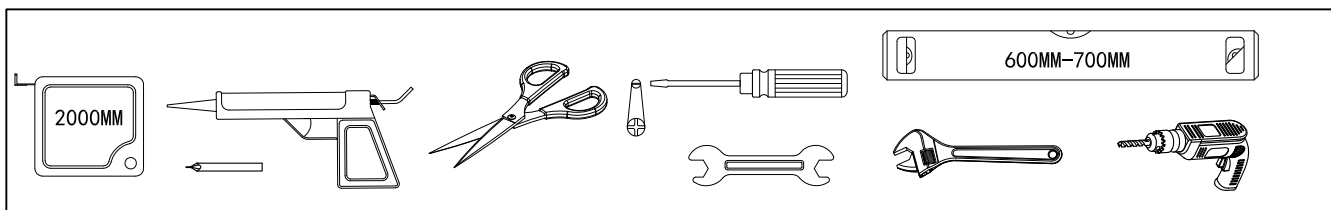


ES - L90PR ES-L100PR





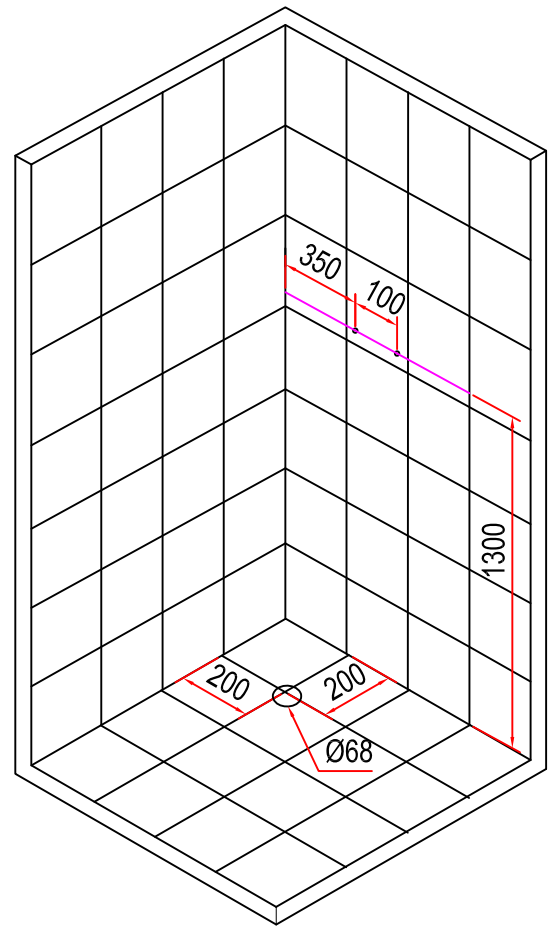
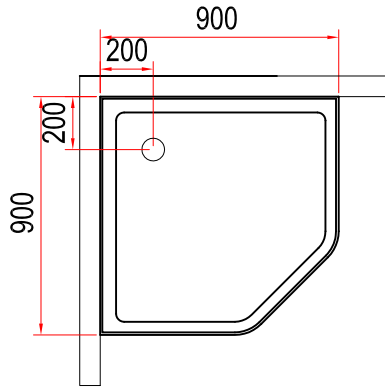
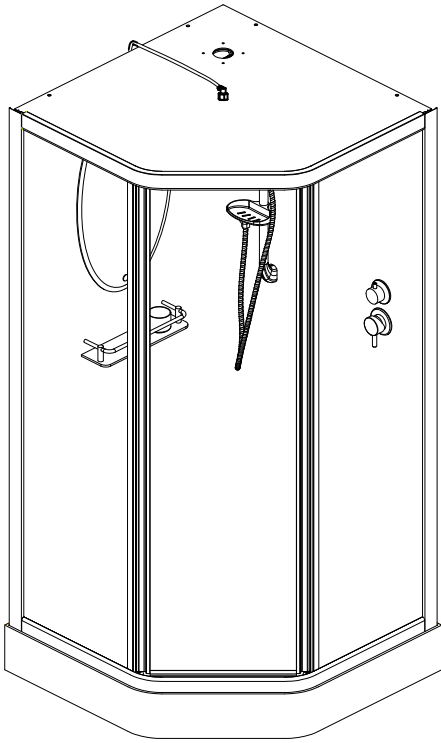


A01 X1	A02 X2	A03 H=3.8MM L=1859MM X2	A04 ST4X13 X4	A05 X1	A06 X1
A07 X1	A08 X1	A09 X2	A10 H=3.2MM L=1545MM X1	A11 M4X20 X4	A12 X1
A13 X1	A14 PVC M4X20 X4	A15 X1	A16 X1	A17 X1	A18 X1
A19 ST4X25 X7	A20 ST4X13 X14	A21 90PR X4 100PR X6	A22 X1	A23 M3.5X30 X8	A24 X4
A25 X1	A26 X1	A27 X2	A28 X4	A29 ST3.5X13 X4	A30 ST3.5X38 X4
A31 X2	A32 X1	A33 X1	A34 X1		

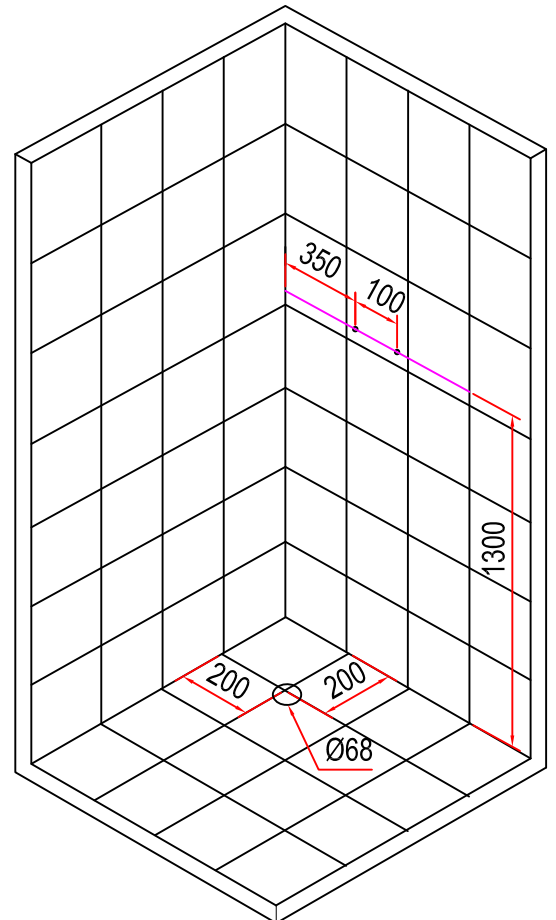
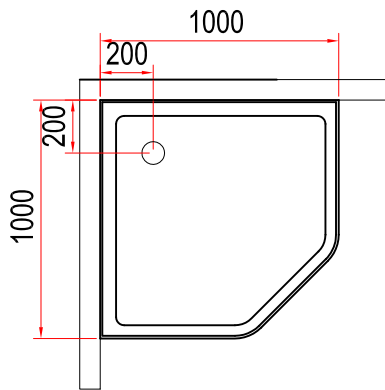
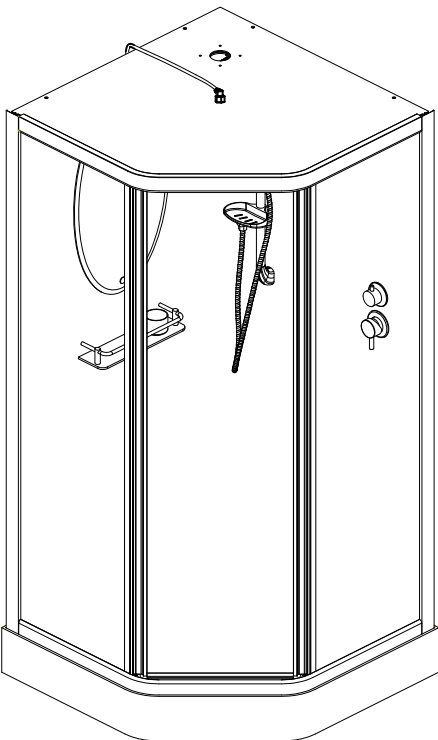
B01 X1	B02 X2	B03 X2	B04 X1	B05 X1	B06 X1	B07 X2
---------------	---------------	---------------	---------------	---------------	---------------	---------------

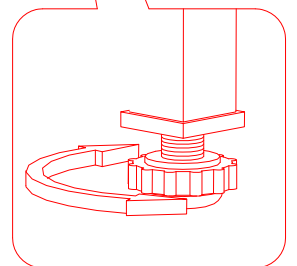
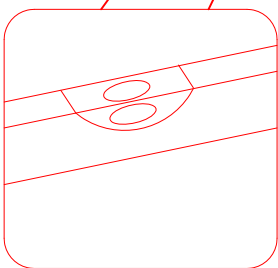
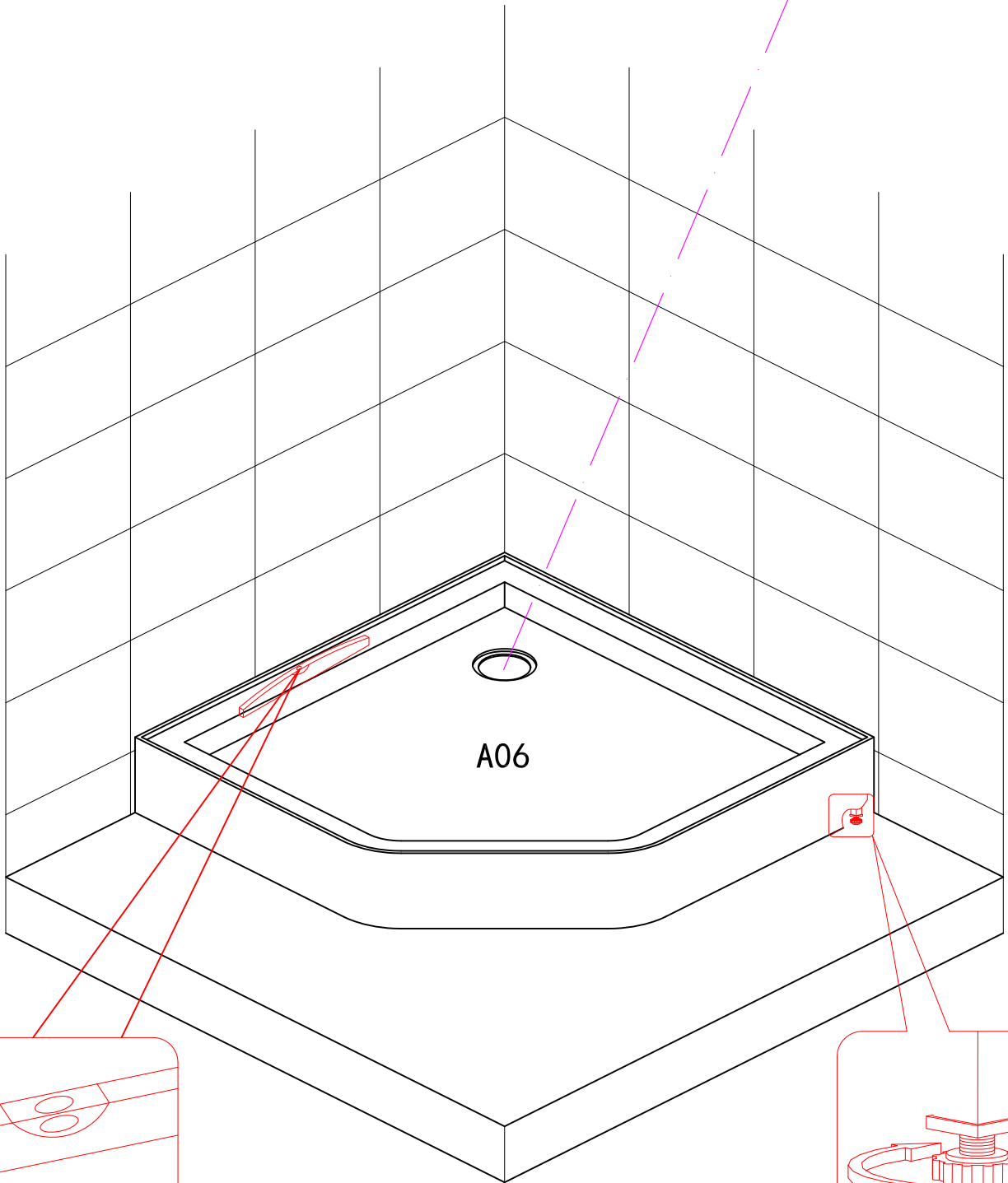
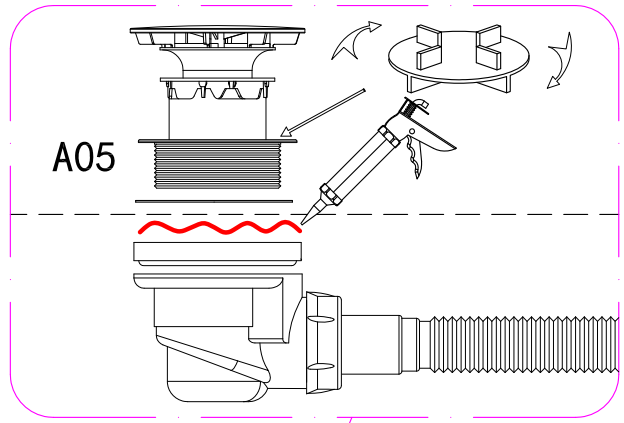
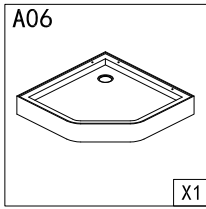
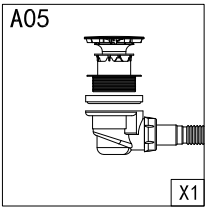
C01 X1	C02 X1	C03 X1
---------------	---------------	---------------

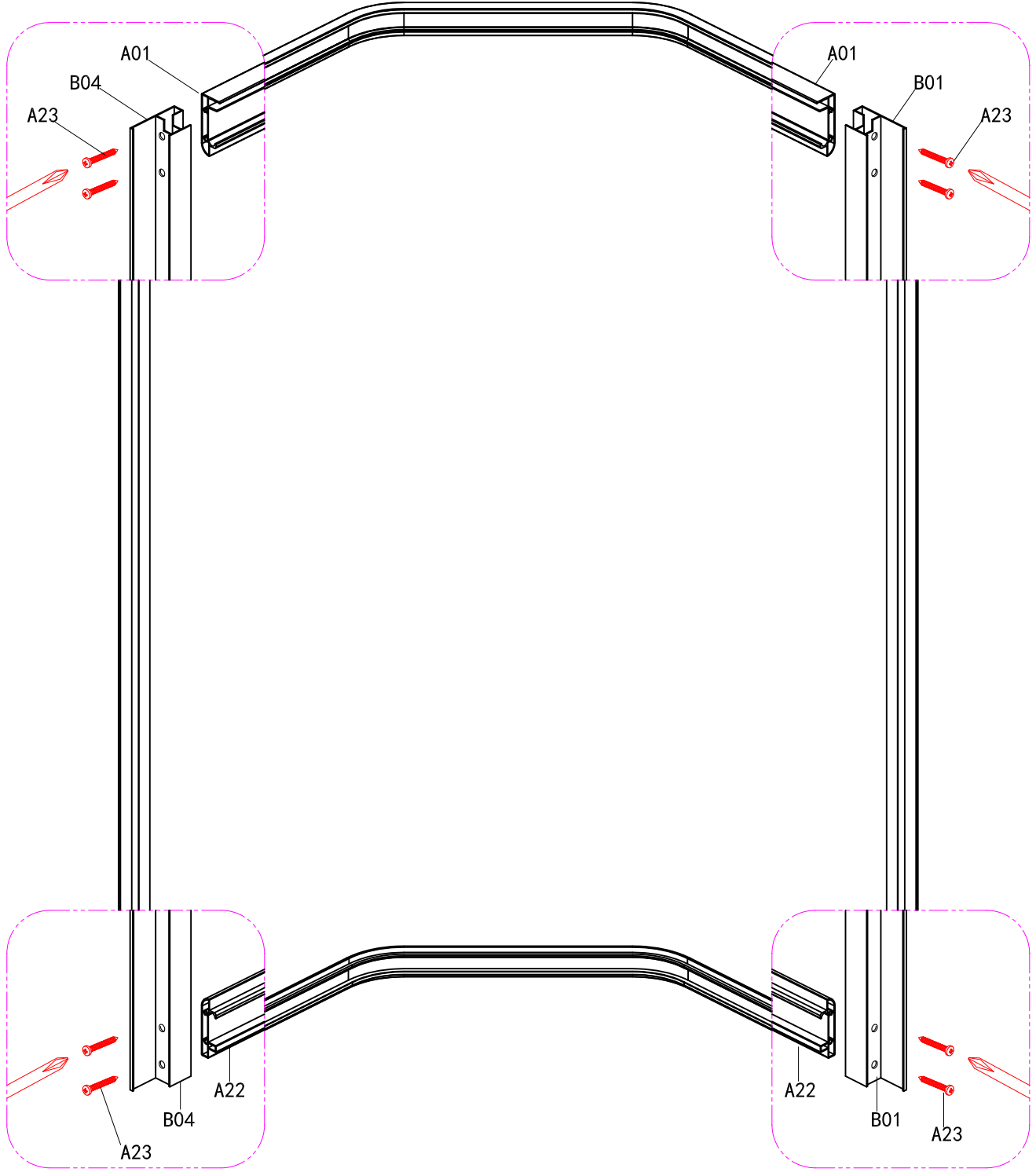
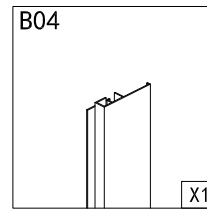
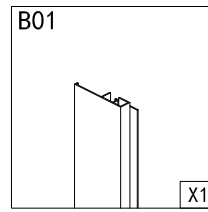
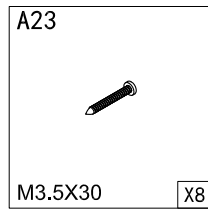
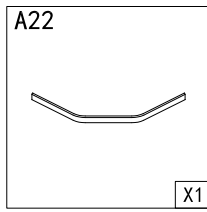
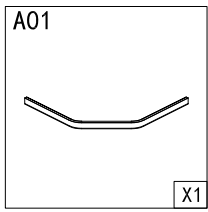
ES-90PR

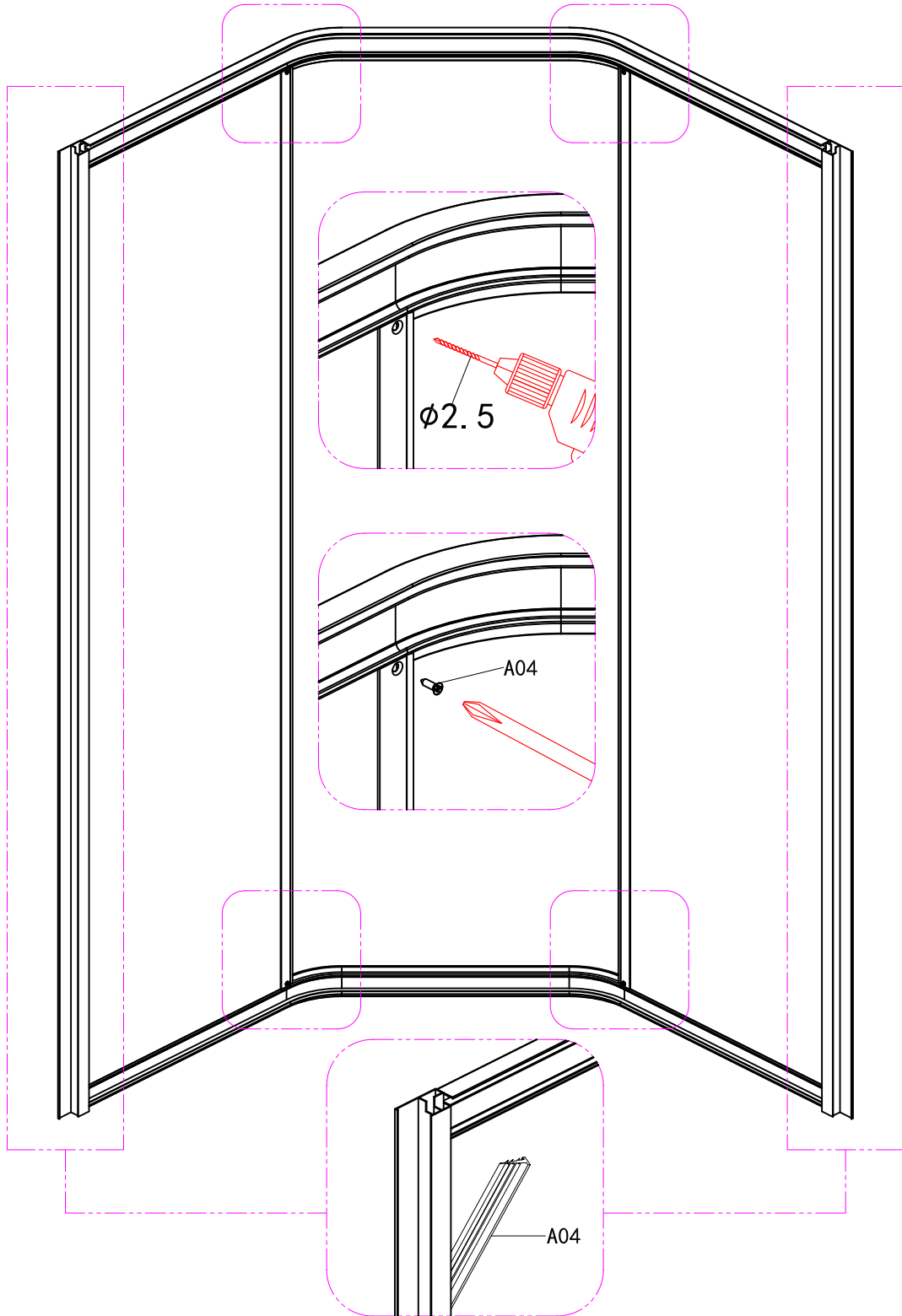
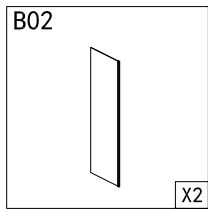
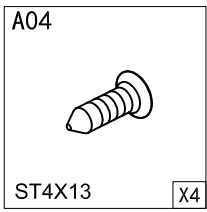
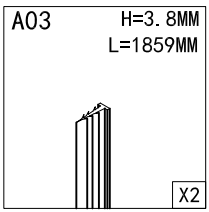


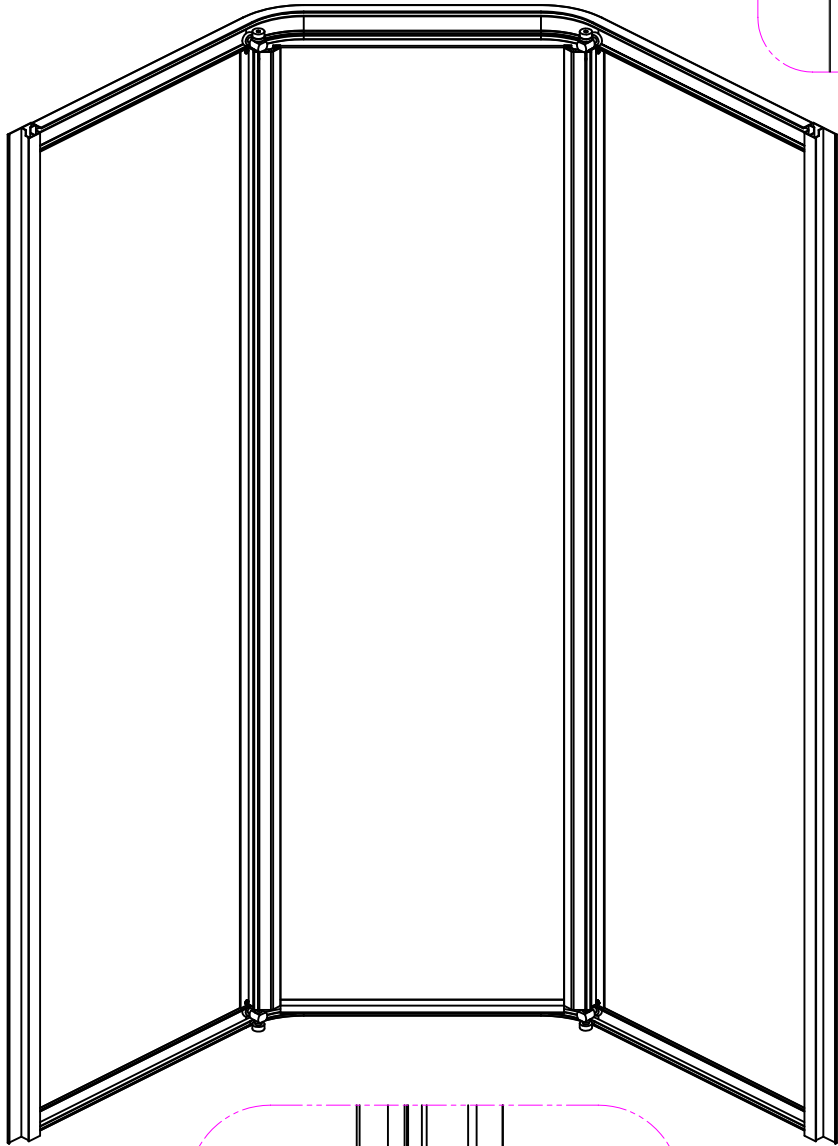
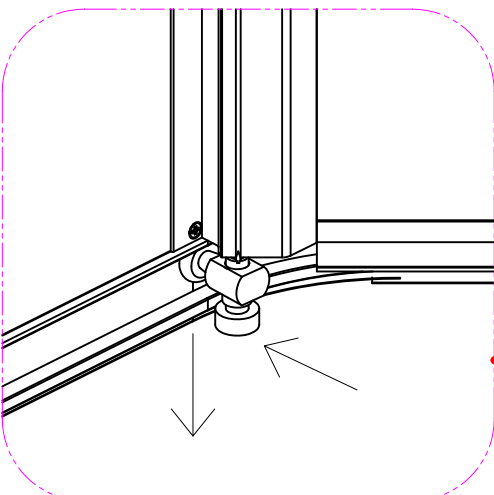
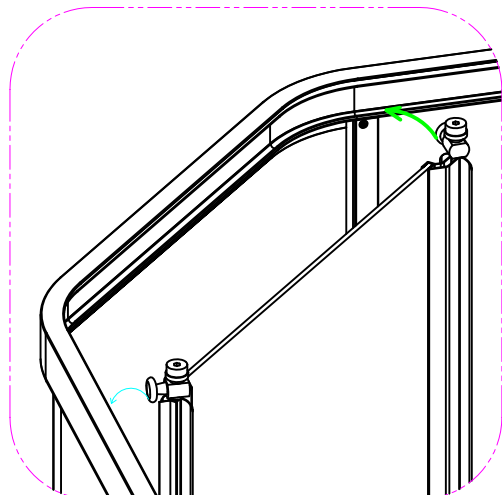
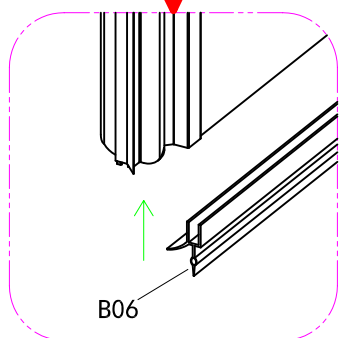
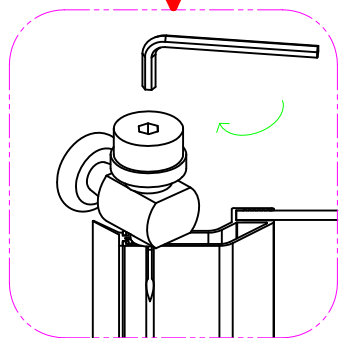
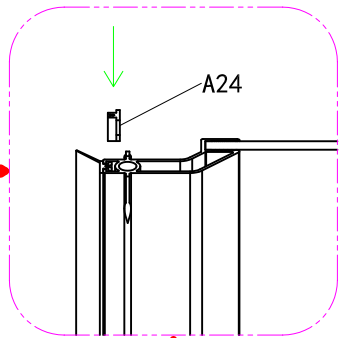
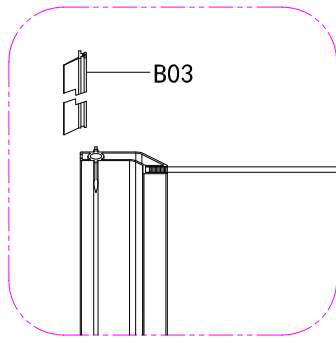
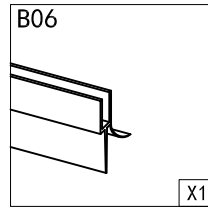
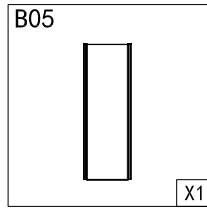
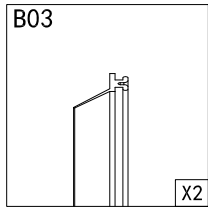
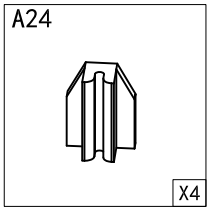
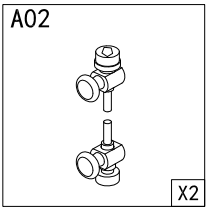
ES-100PR

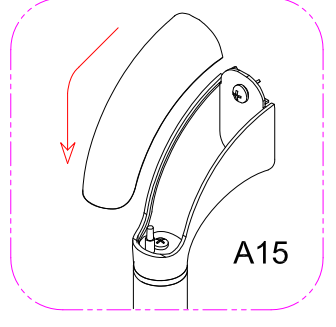
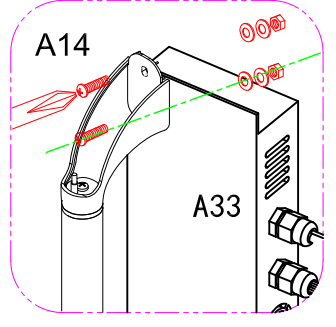
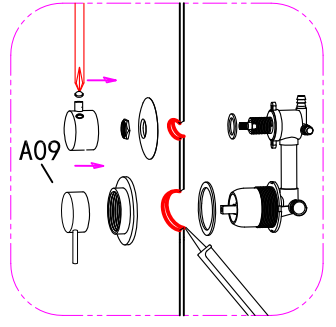
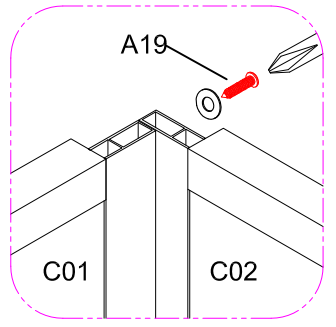
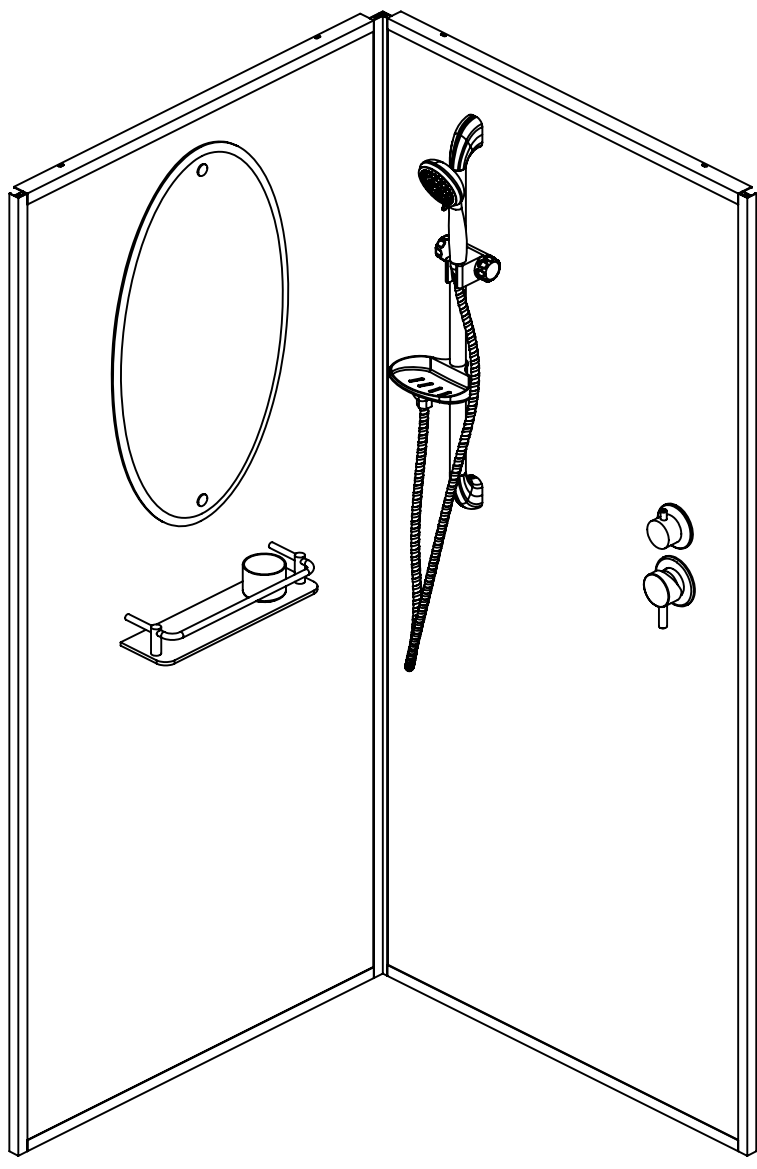
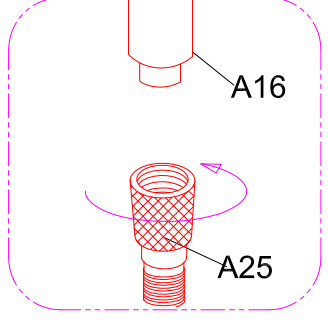
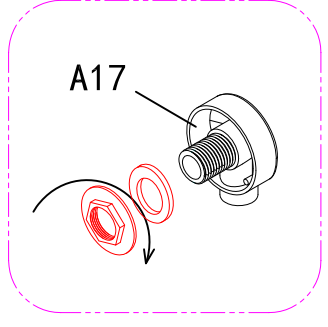
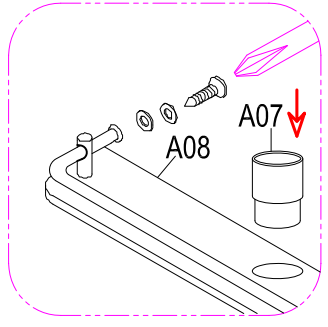
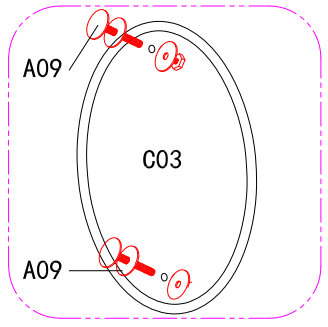
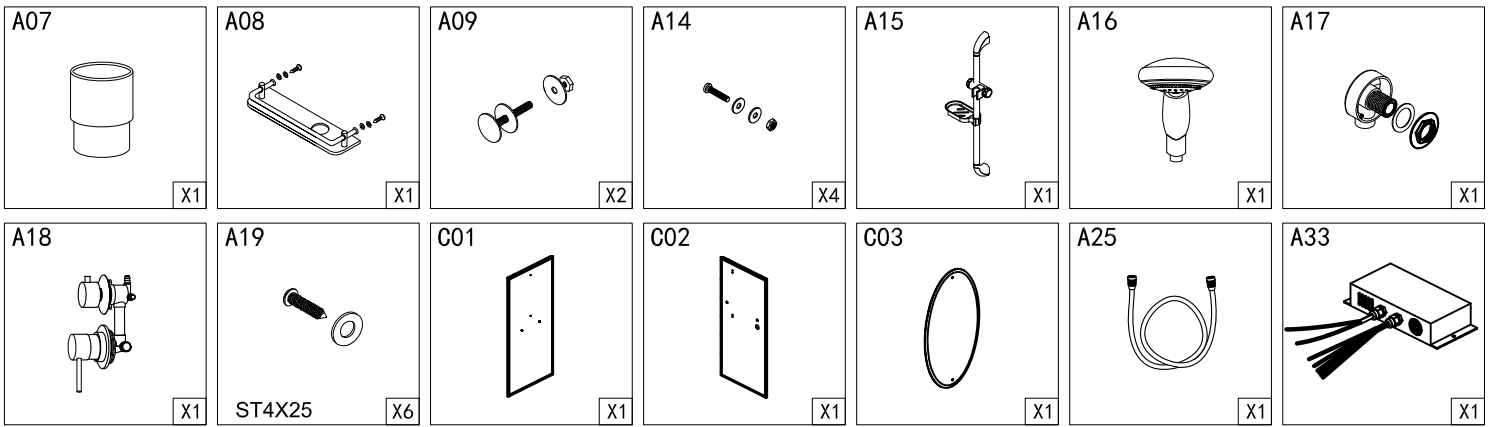


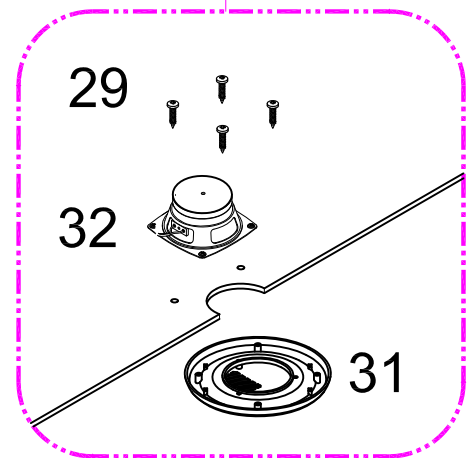
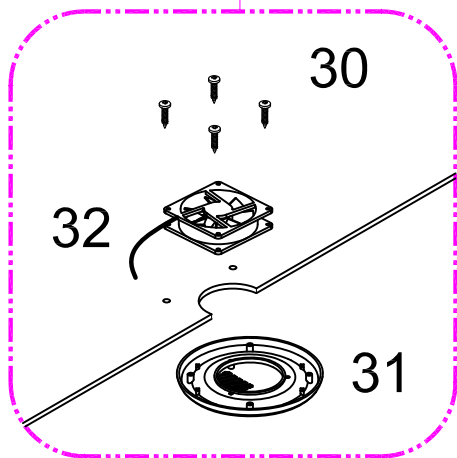
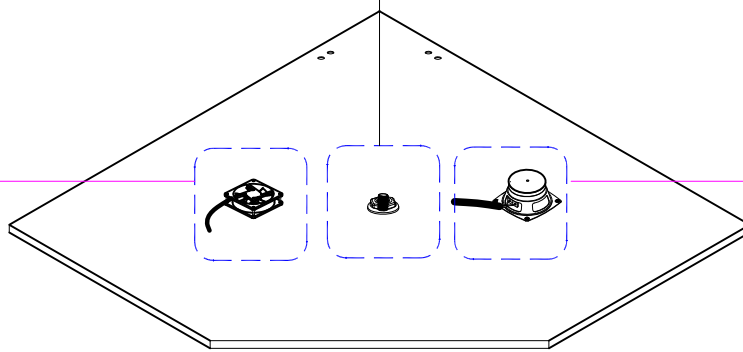
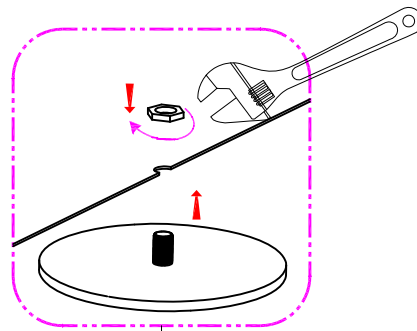
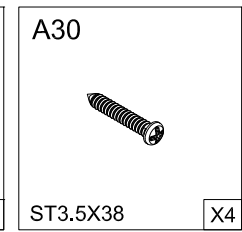
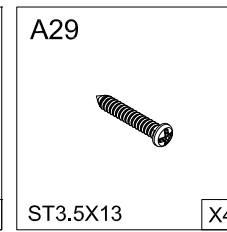
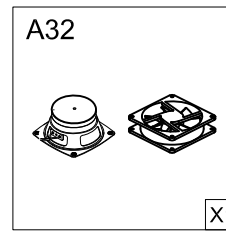
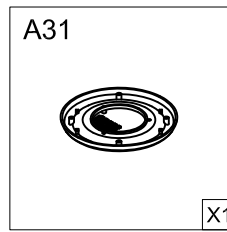
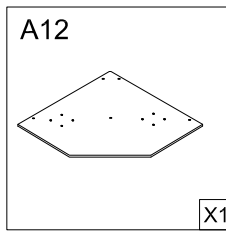
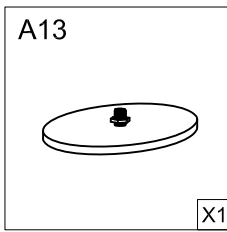












A10 H=3.2MM
 90PR L=1545MM
 100PR L=1720MM
 X1

A11 M4X20
 X4

A12
 X1

A13
 X1

A20 ST4X13
 X14

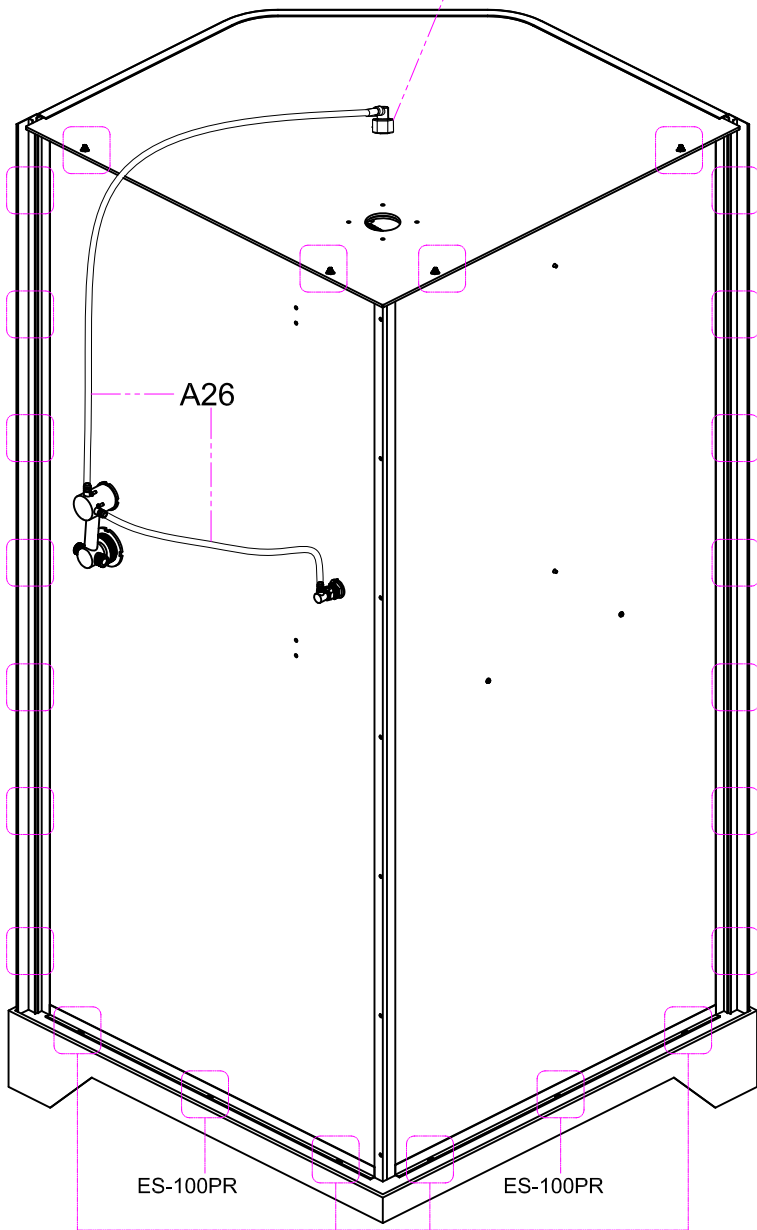
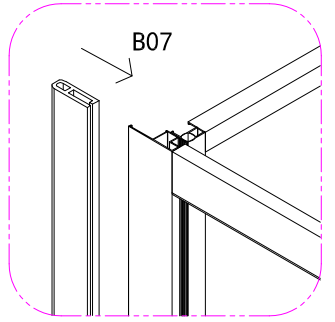
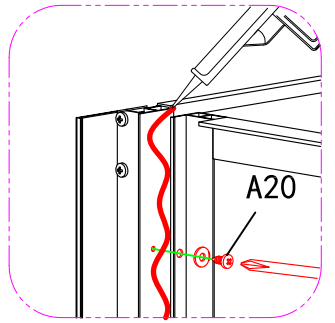
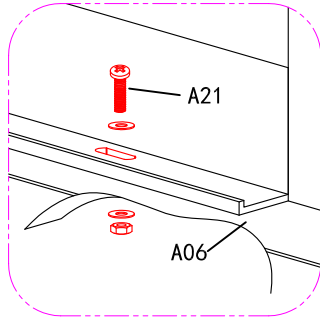
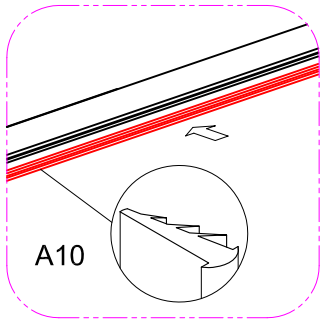
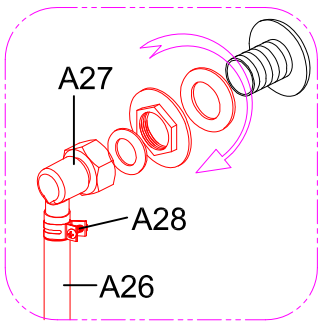
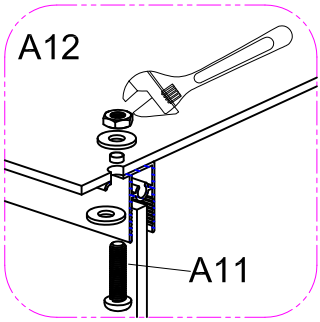
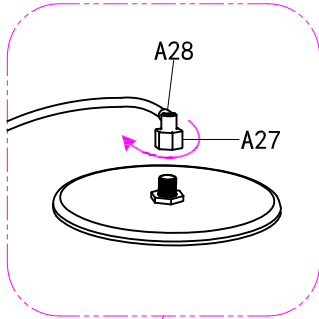
A21 90PR X4
 100PR X6

A26
 X4

A27
 X2

A28
 X4

B07
 X2



ES-100PR

ES-100PR

