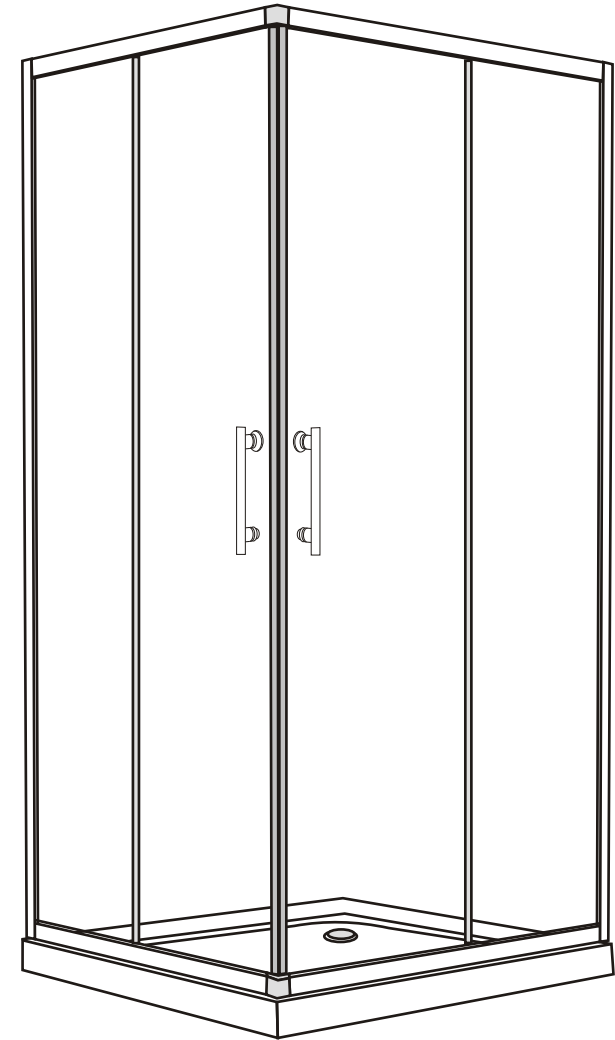
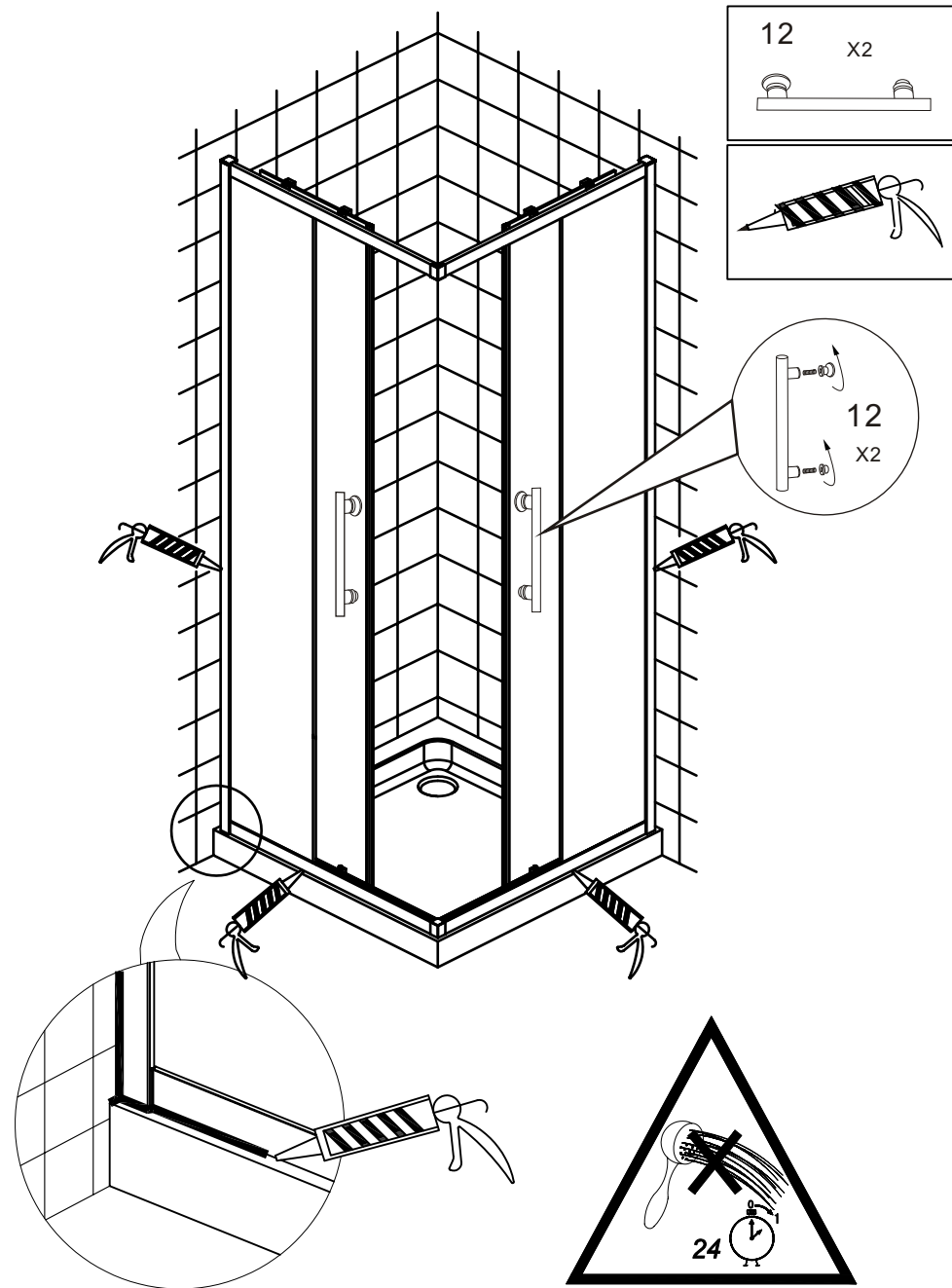
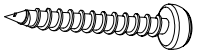
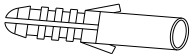







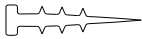





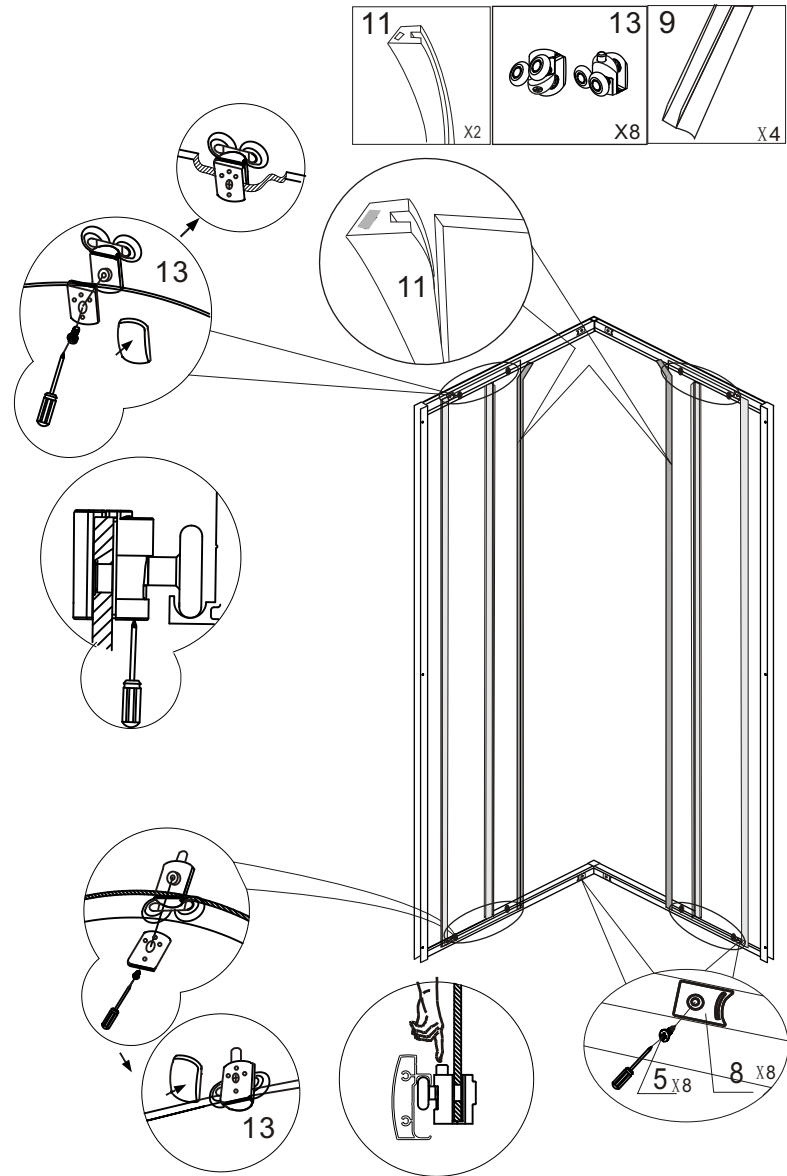


NG-008,009,010,012-14

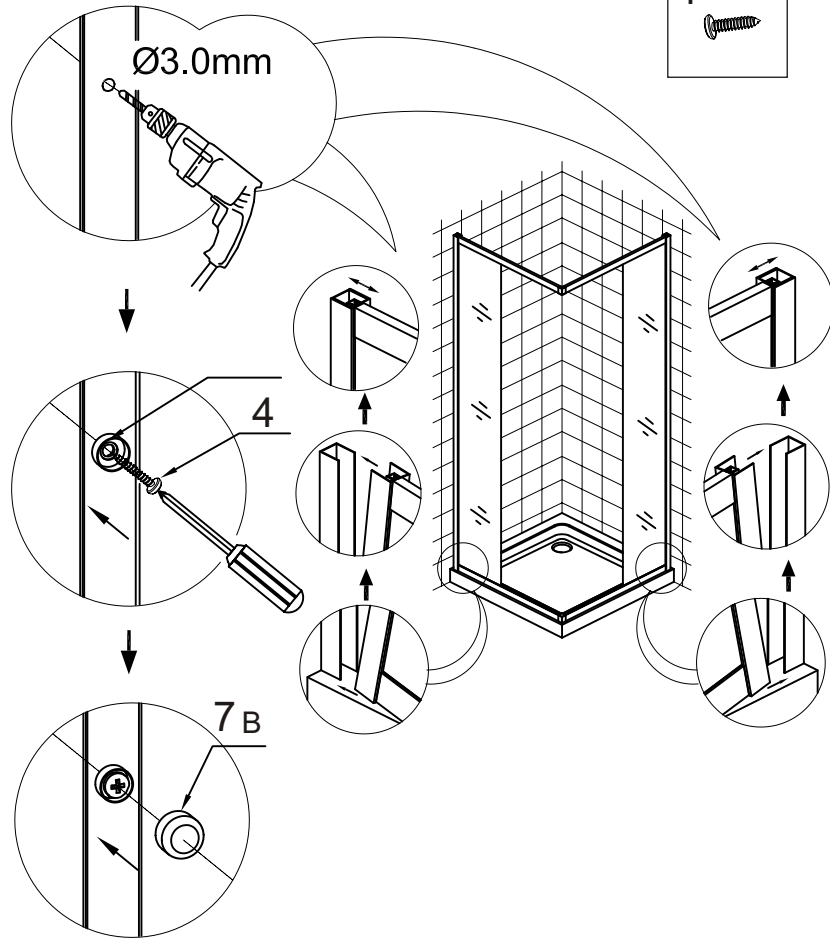
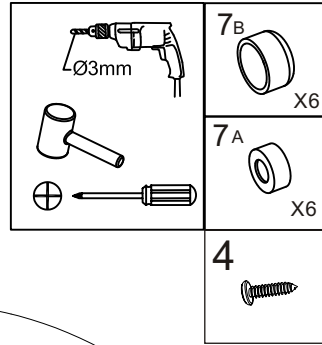


1		ST4X30	X8
2		Φ6x30	X8
3		ST3.5x25	X8
4		ST4X12	X10
5		ST4X12	X12
6			X4
7			X10
8			X8
9			X4
10			X2
11			X2
12			X2
13			X8
14			X2
15			X2

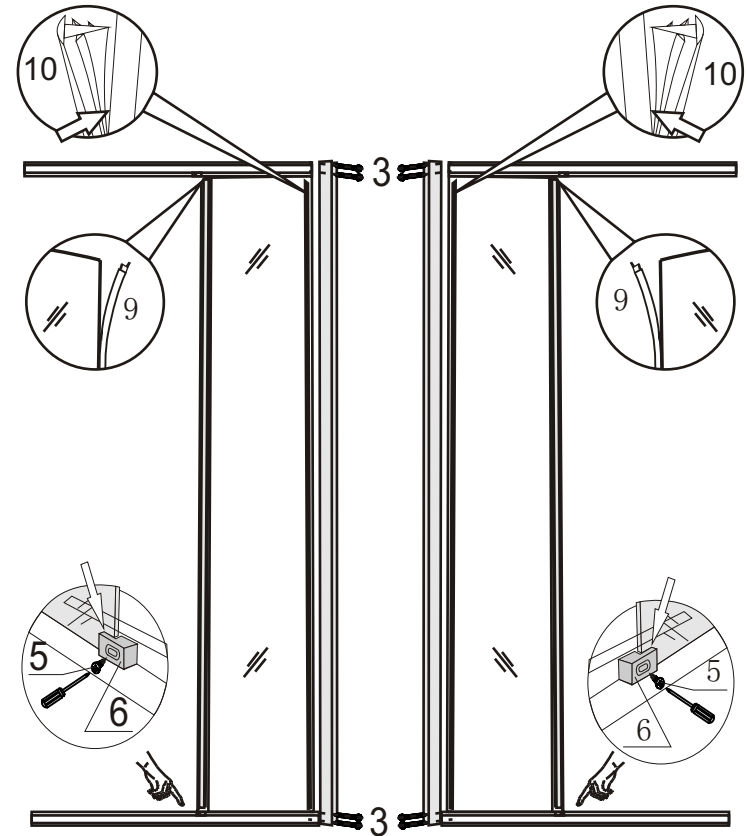
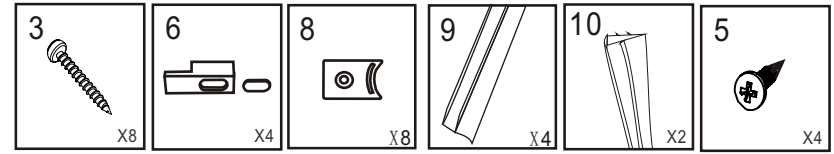
1



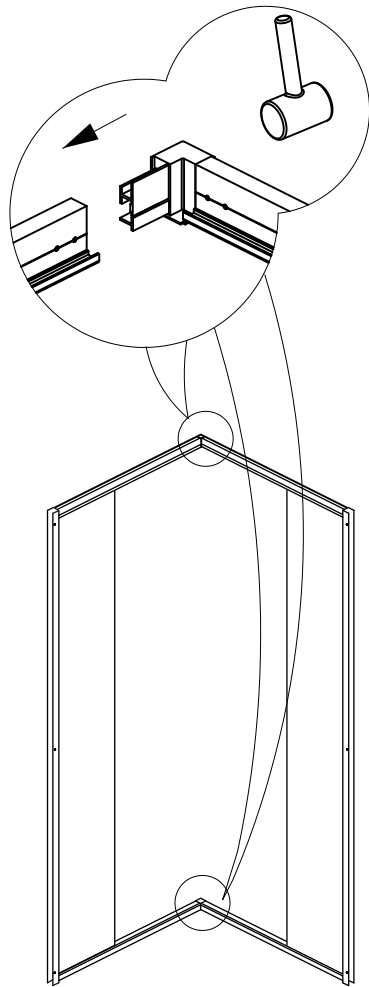
6



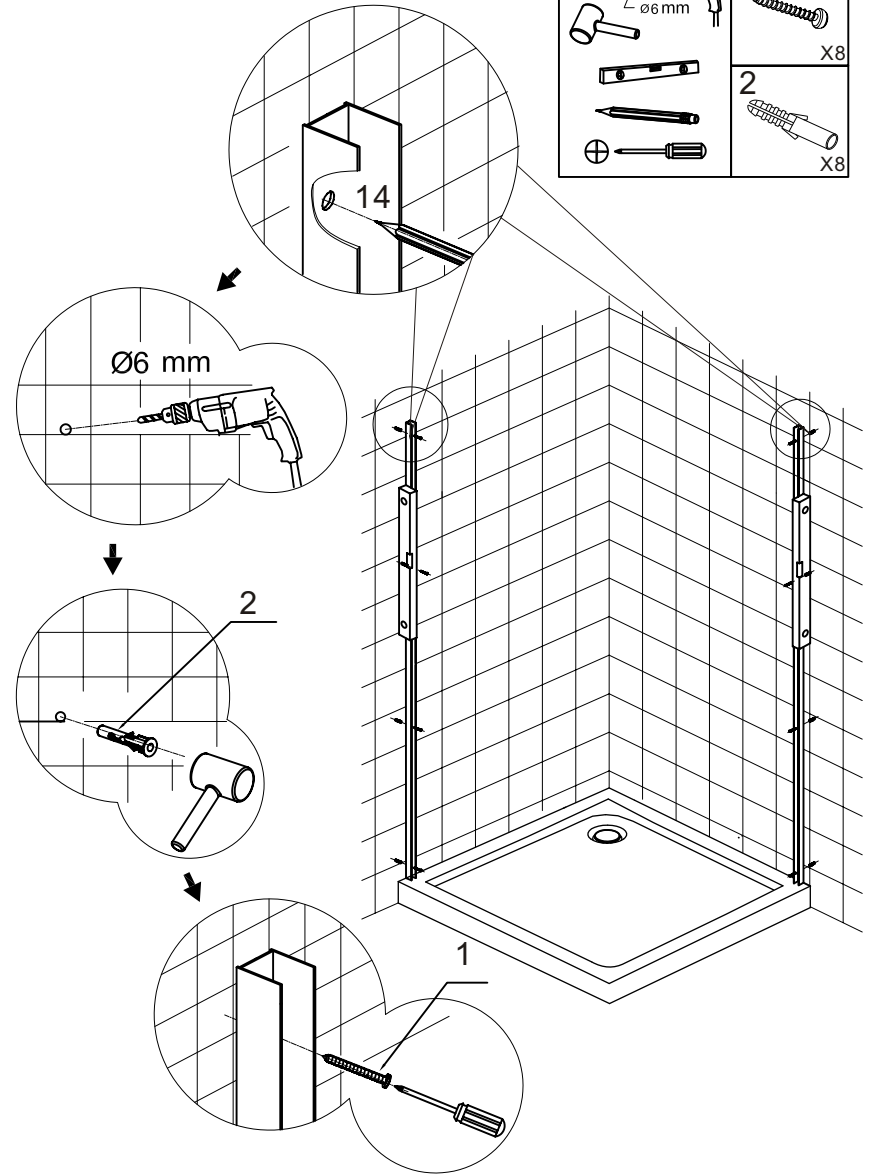
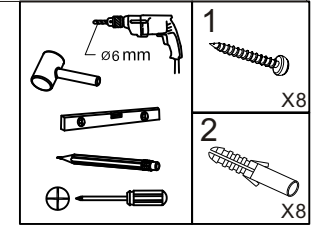
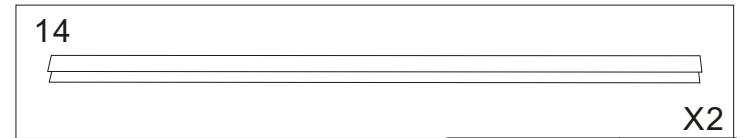
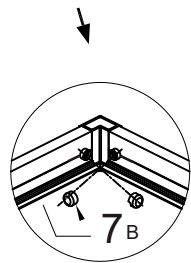
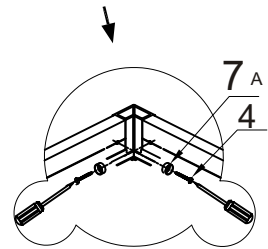
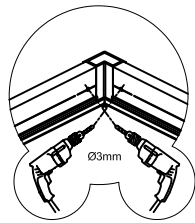
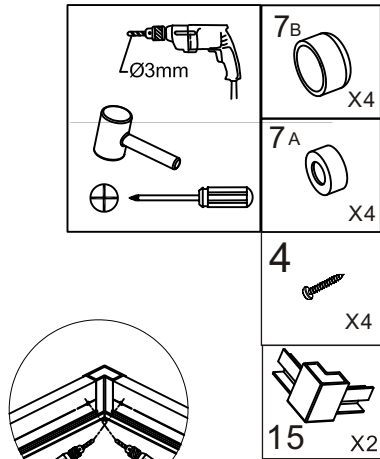
5



2



3



4