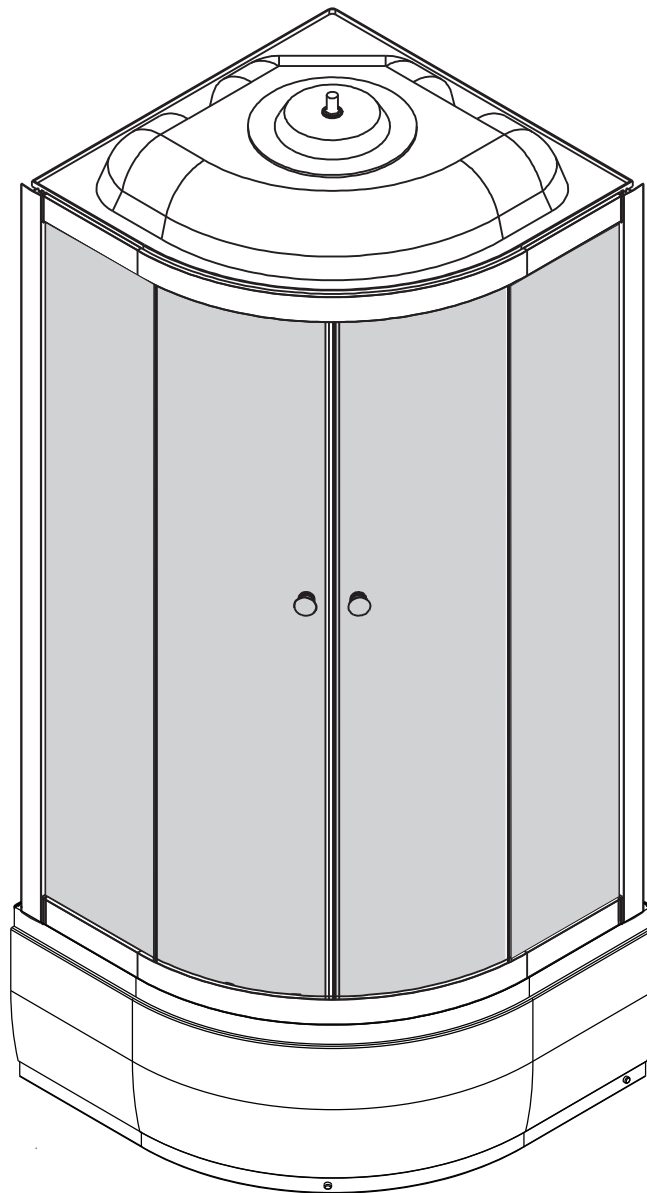
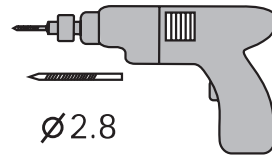


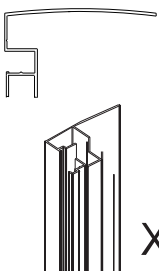
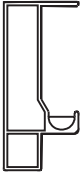

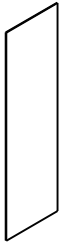
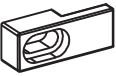
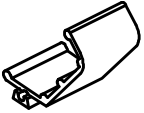

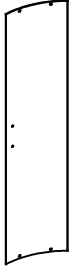
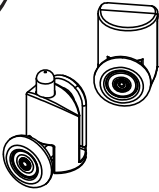

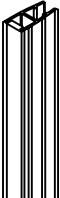
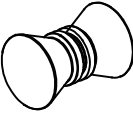
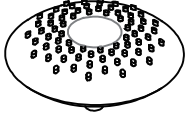


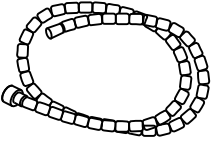

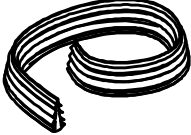
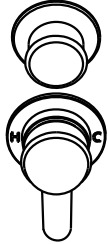

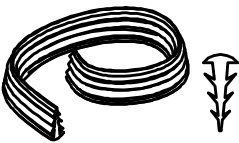
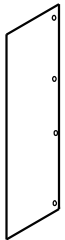



EB/CT821/921/1021

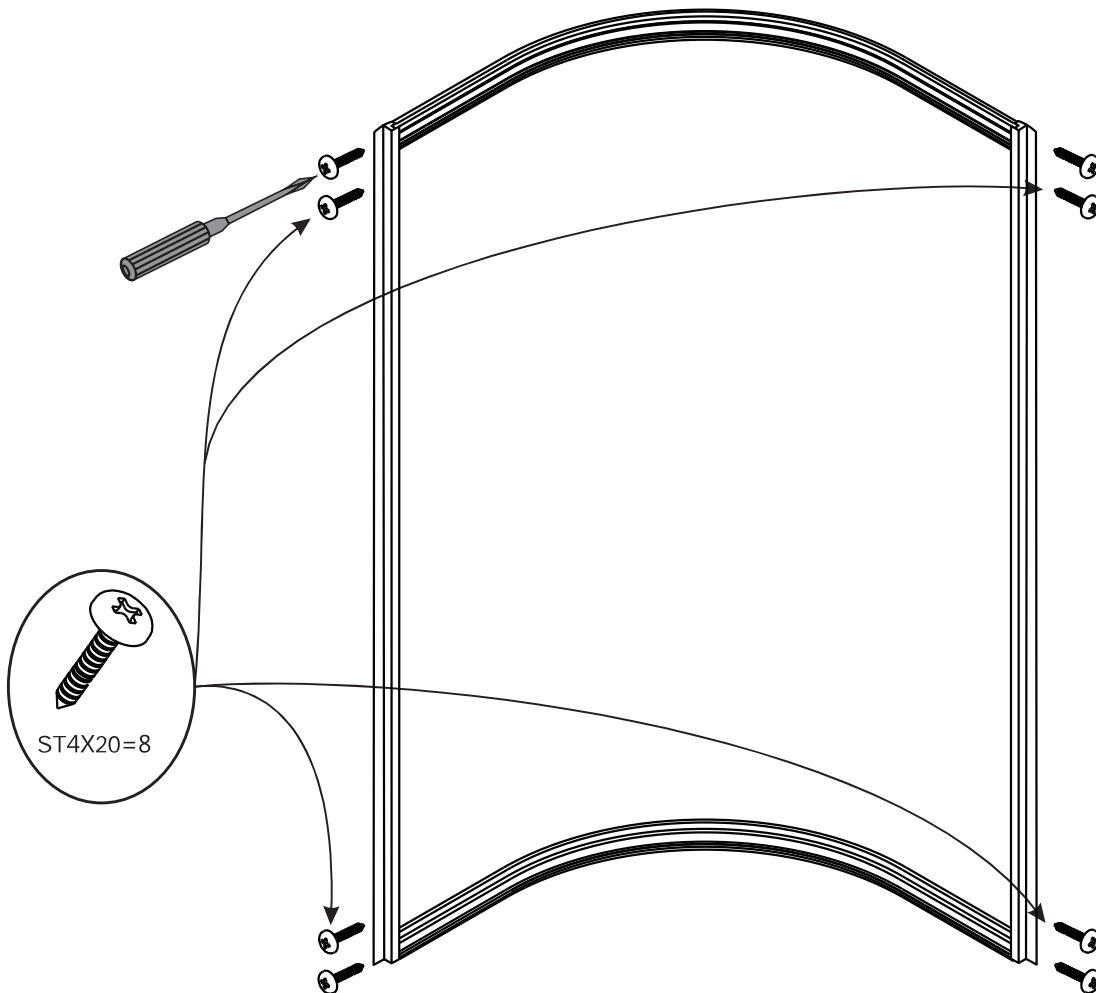
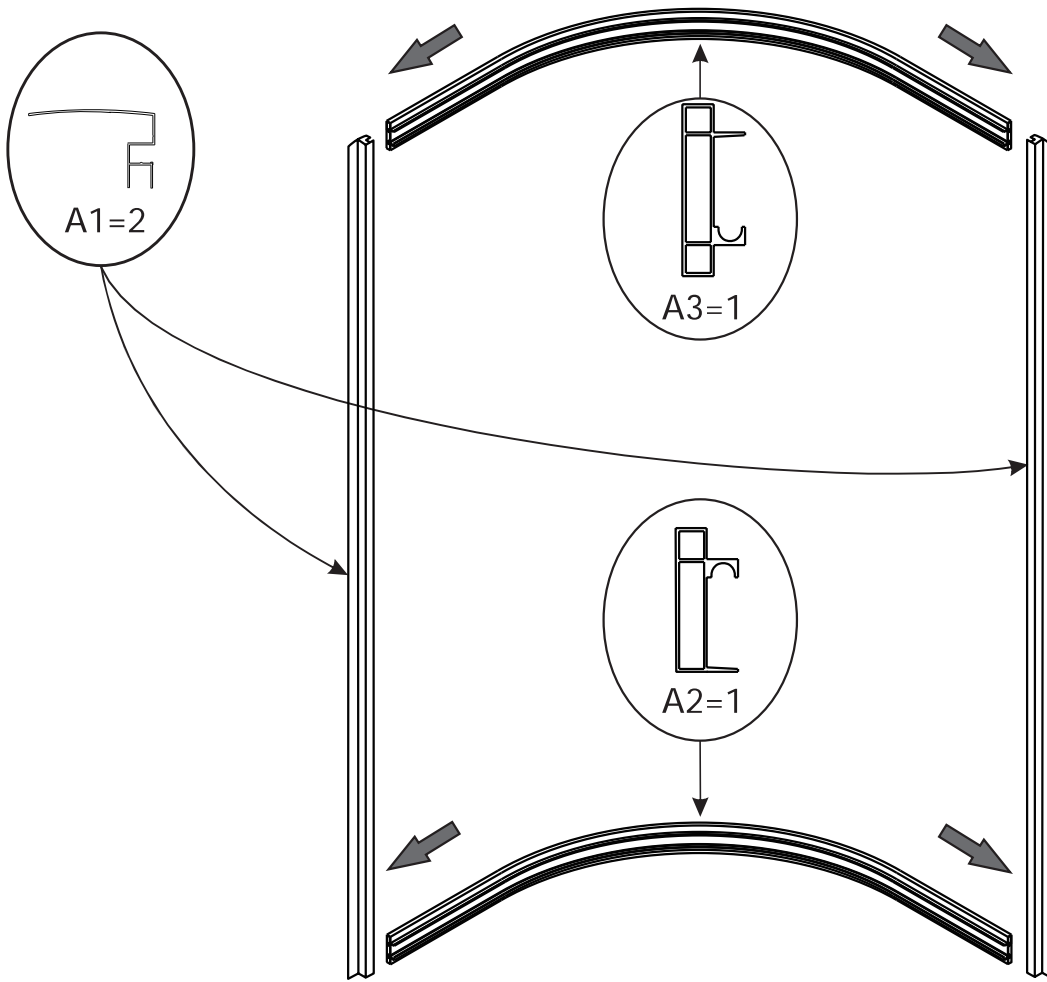
EB/CT831/931/1031

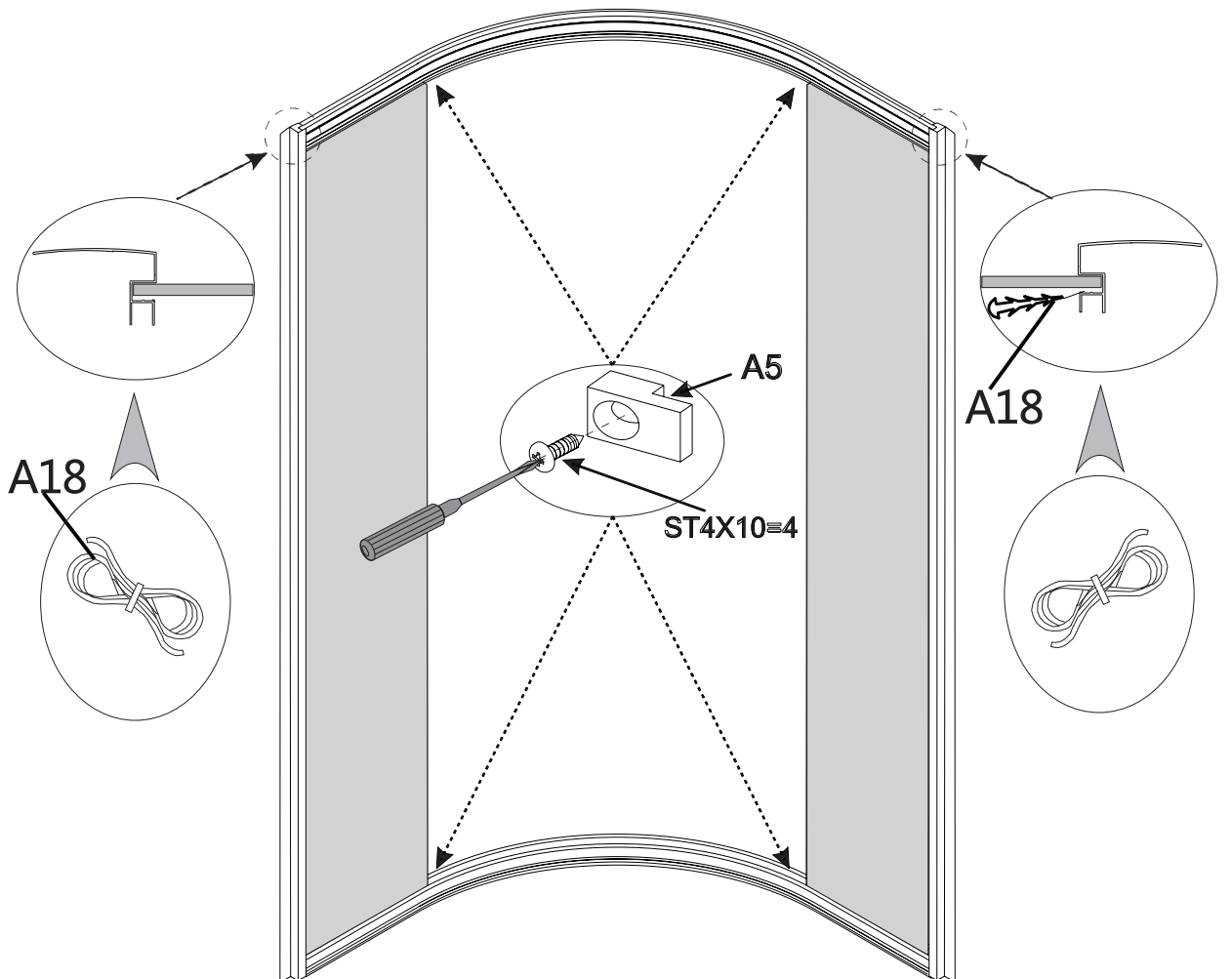
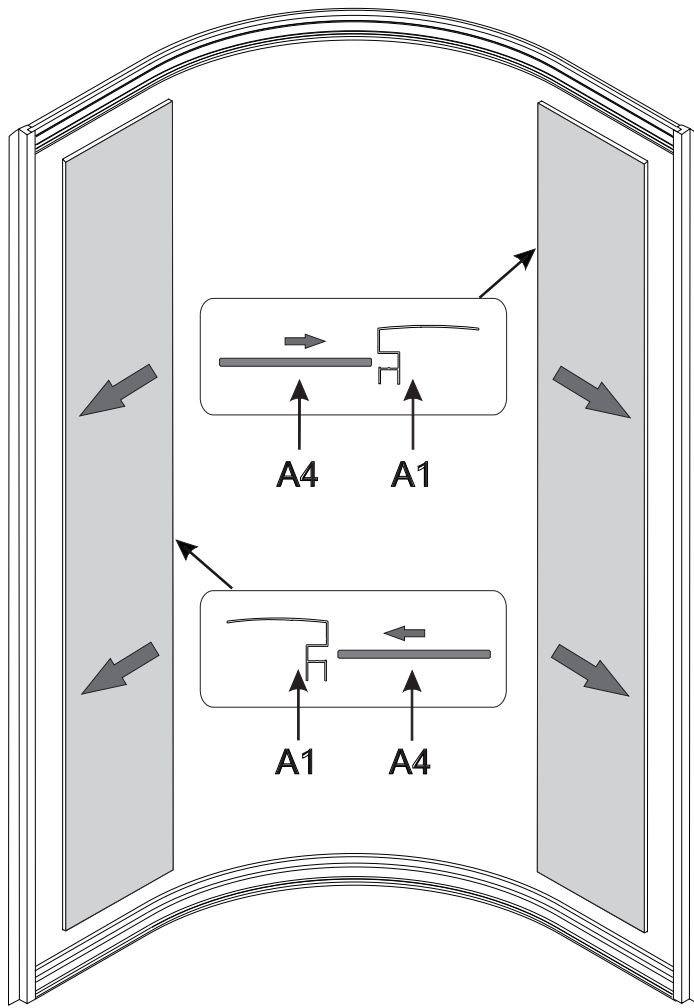
EB/C/TM921

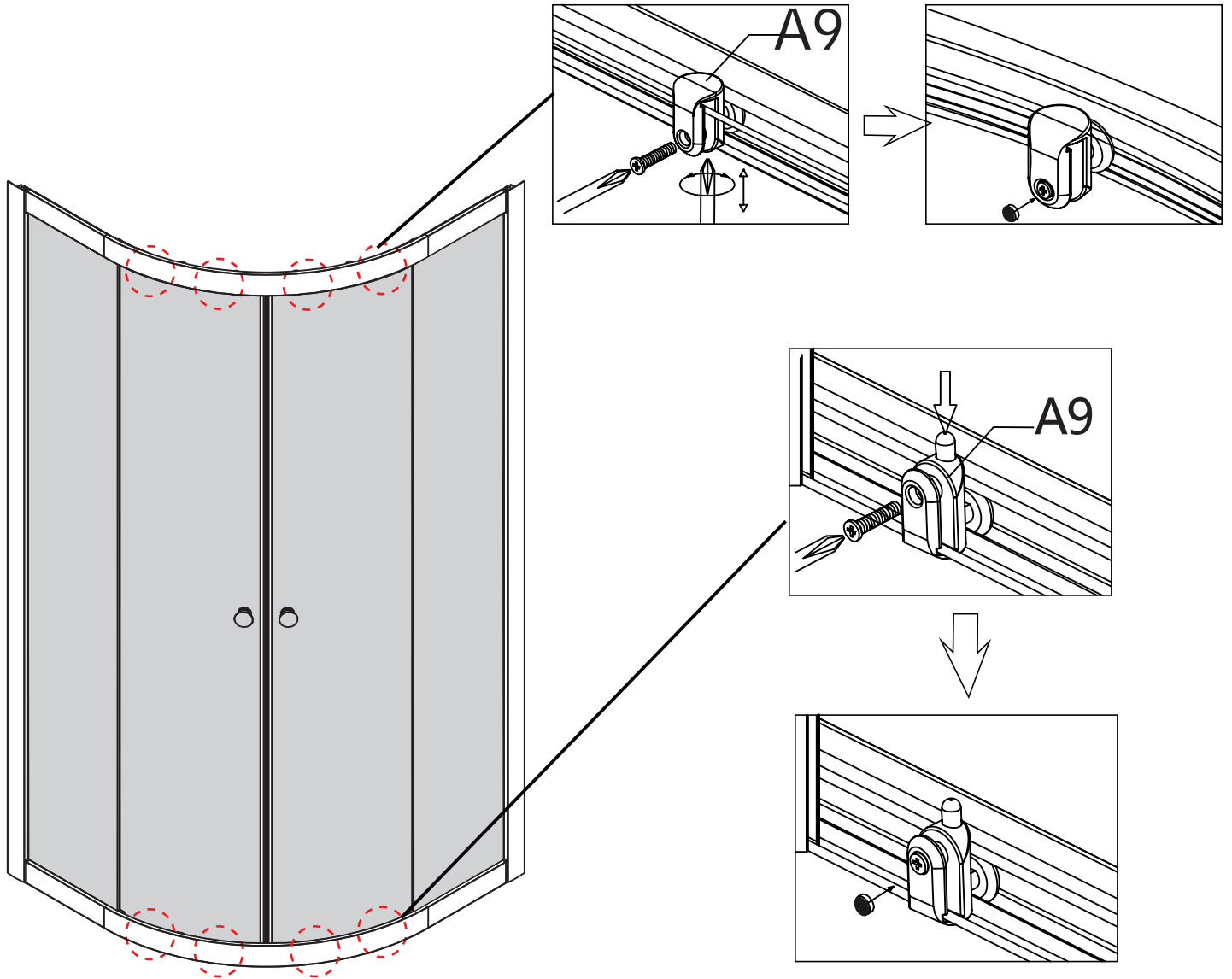
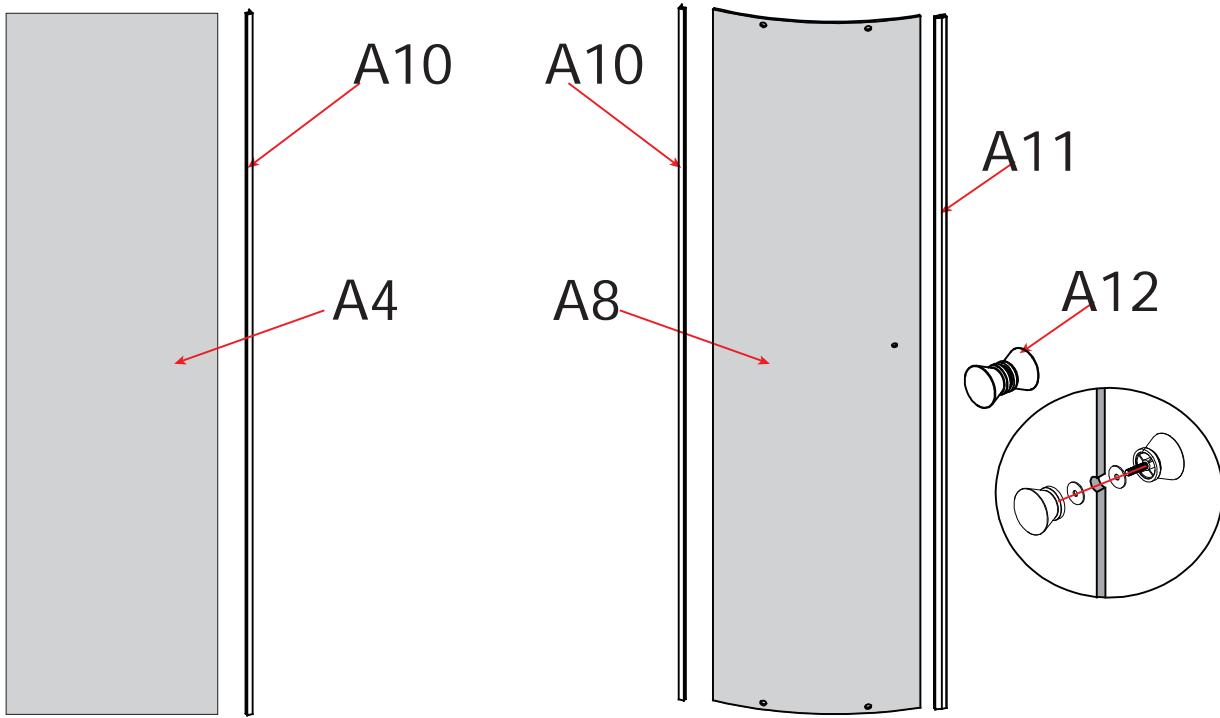


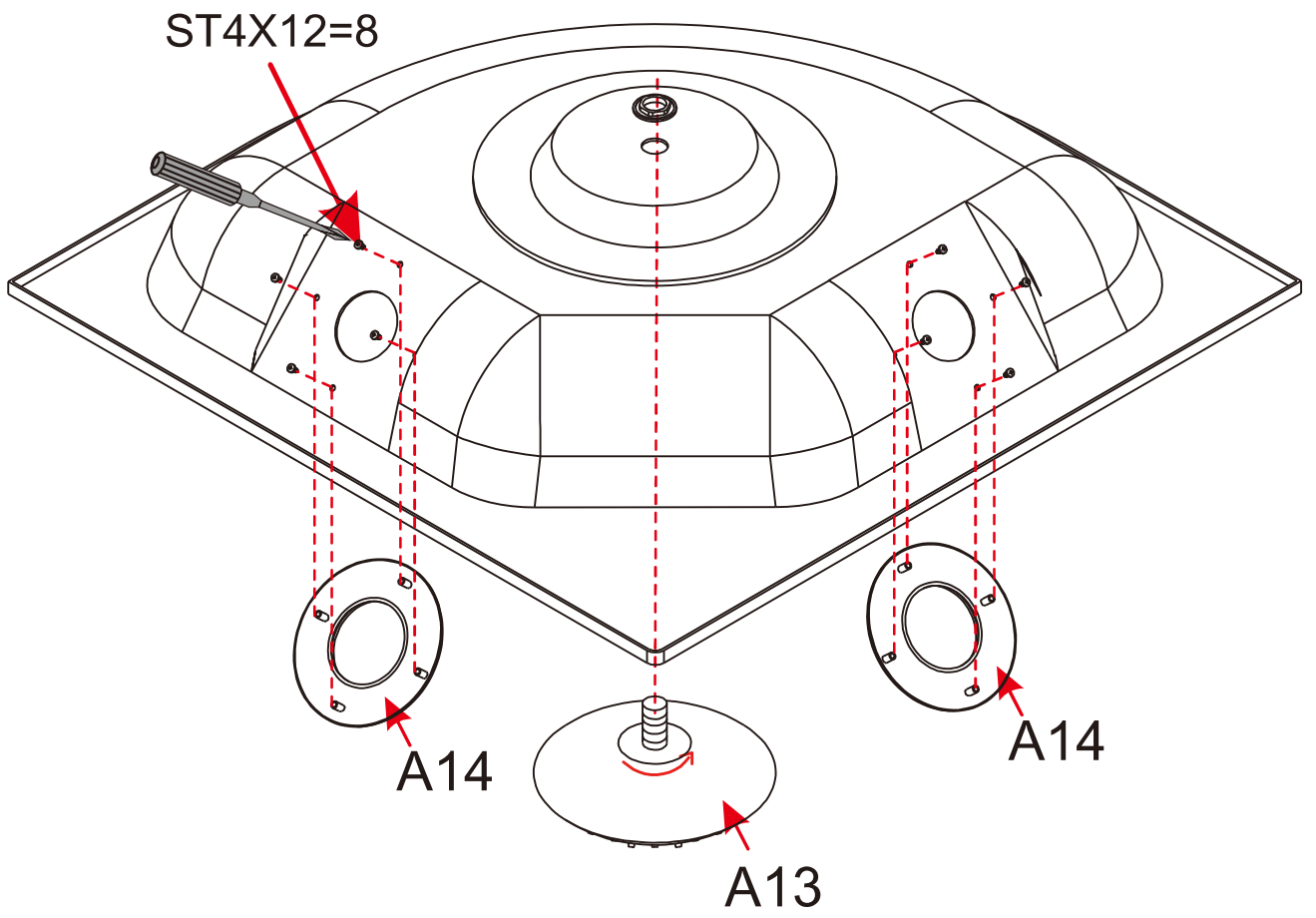


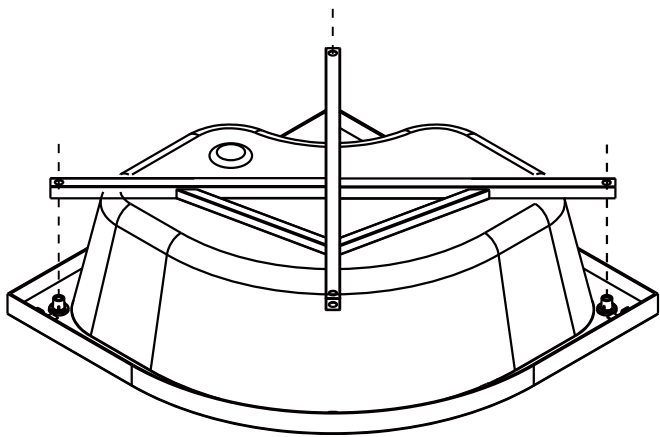
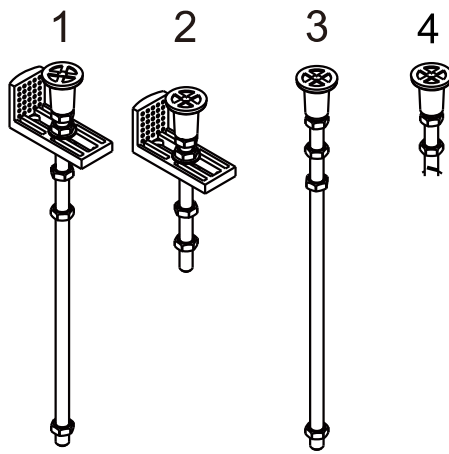
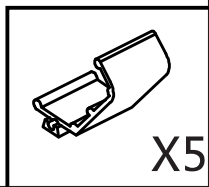
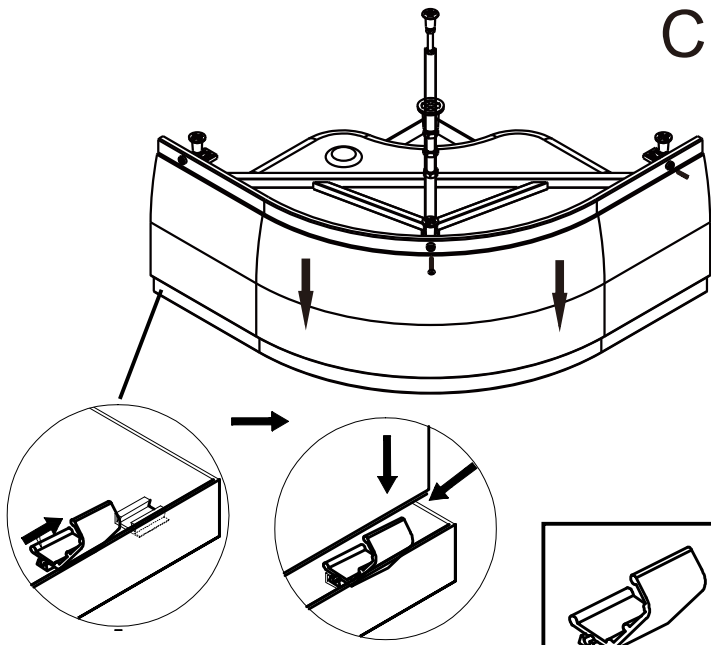
<p>A1</p>  <p>X2</p>	<p>A2</p>  <p>X1</p>	<p>A3</p>  <p>X1</p>	<p>A4</p>  <p>X2</p>	<p>A5</p>  <p>X4</p>
<p>A6</p>  <p>X5</p>	<p>A7</p>  <p>X1</p>	<p>A8</p>  <p>X2</p>	<p>A9</p>  <p>X8</p>	<p>A10</p>  <p>X4</p>
<p>A11</p>  <p>X2</p>	<p>A12</p>  <p>X2</p>	<p>A13</p>  <p>X1</p>	<p>A14</p>  <p>X2</p>	<p>A15</p>  <p>X1</p>
<p>A16</p>  <p>X1</p>	<p>A17</p>  <p>X1</p>	<p>A18</p> <p>2.0</p>  <p>X2</p>	<p>A19</p>  <p>X1</p>	<p>A20</p>  <p>X2</p>
<p>A21</p> <p>1.0</p>  <p>X2</p>	<p>A22</p>  <p>X2</p>	<p>A23</p>  <p>X1</p>	<p>A24</p>  <p>X4</p>	 <p>ST4X14=20 M4X25=2 ST4X20=8 ST4X12=16 ST4X10=4</p>



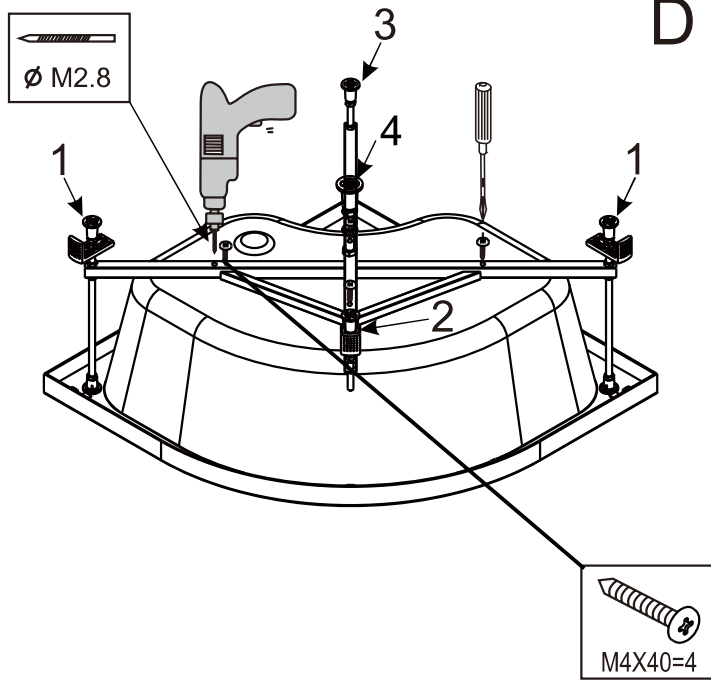
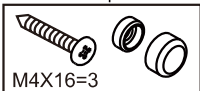
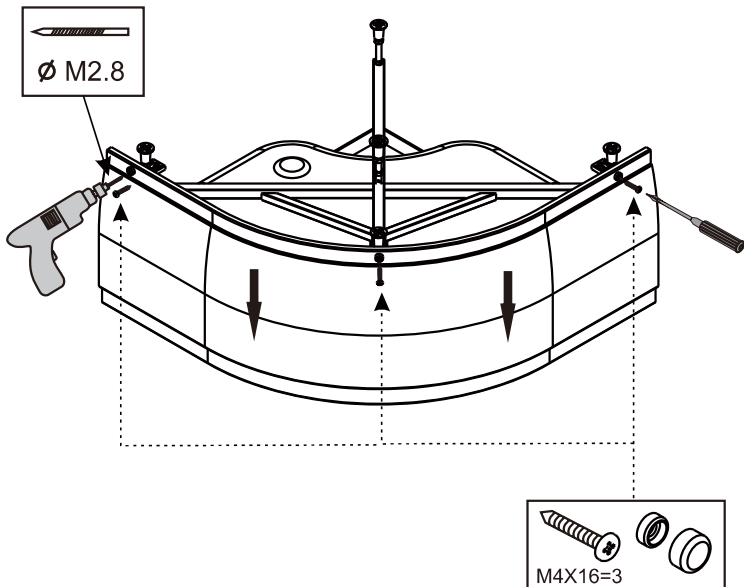




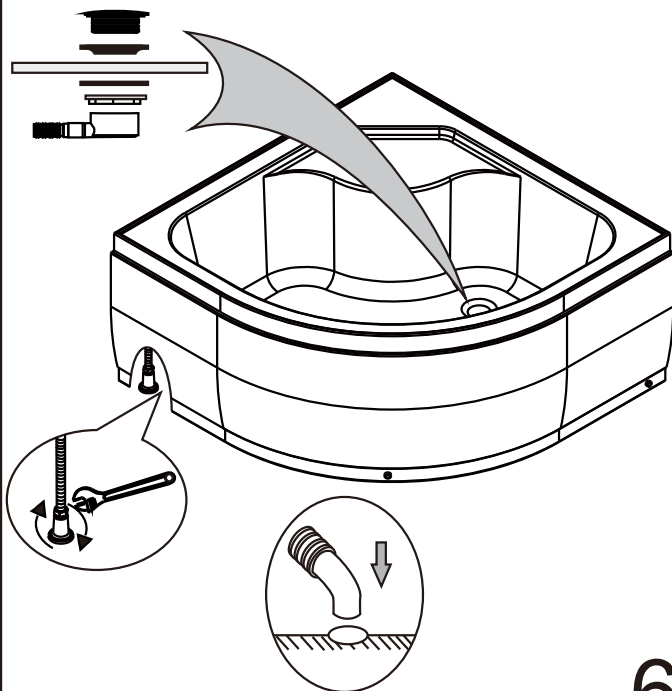


A**B****C**

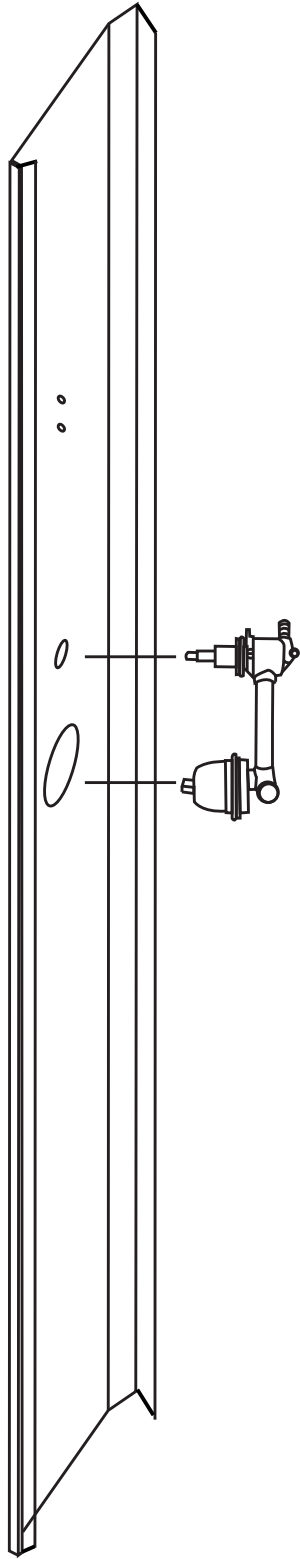
X5

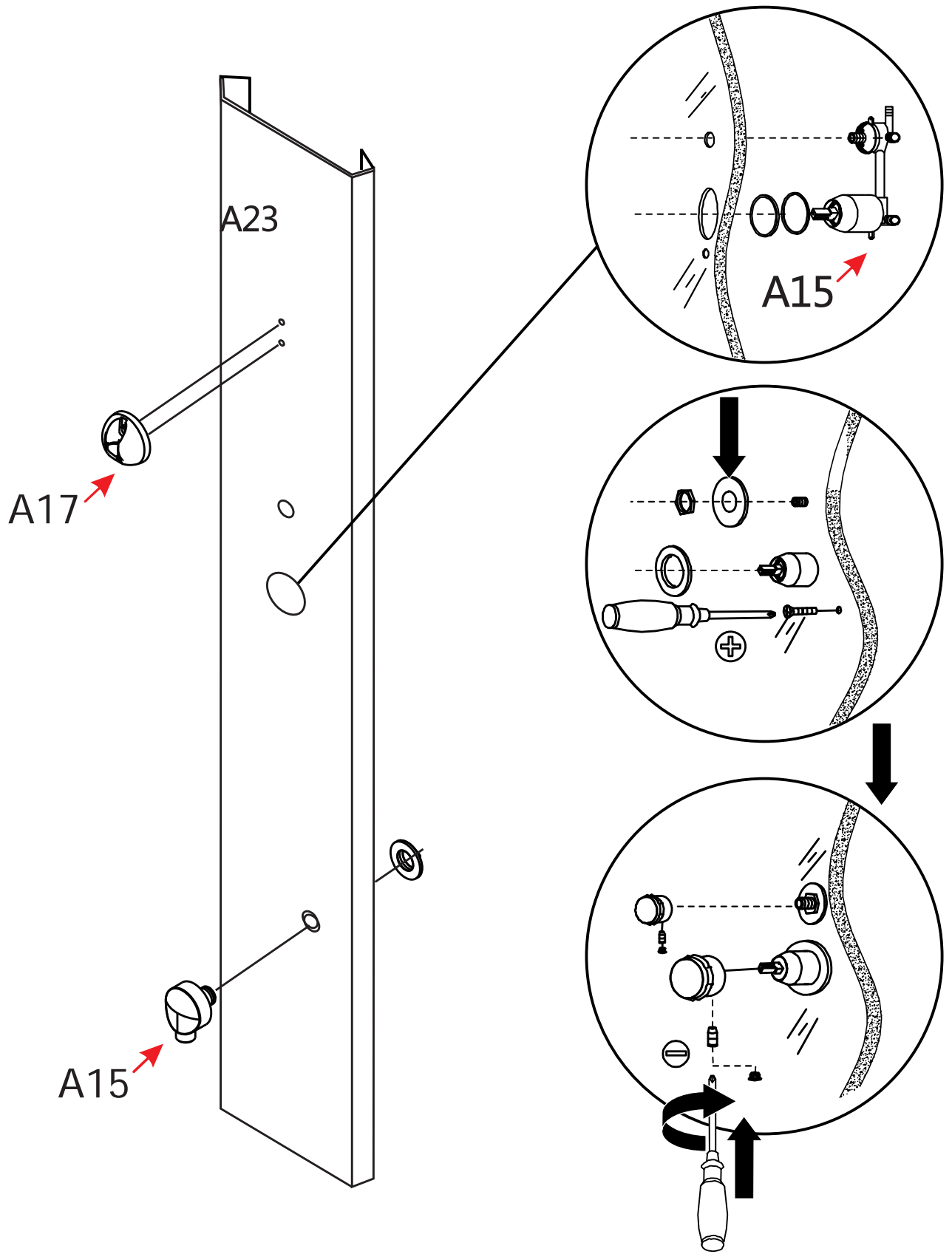
D**E**

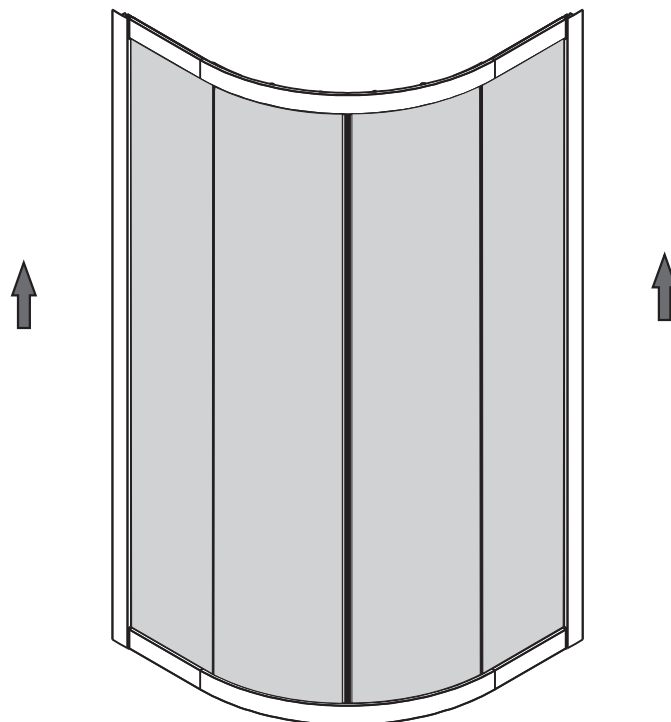
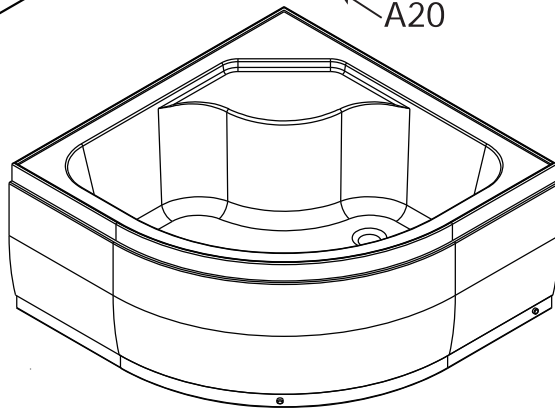
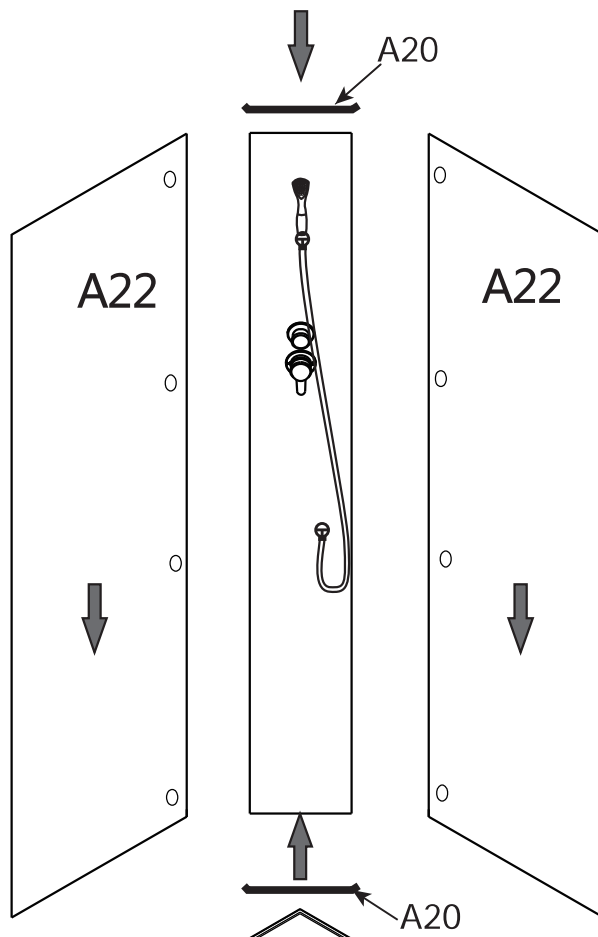
M4X16=3

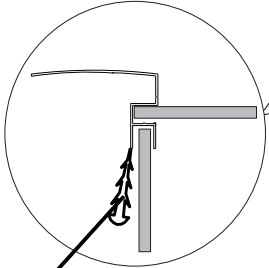
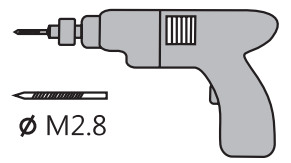
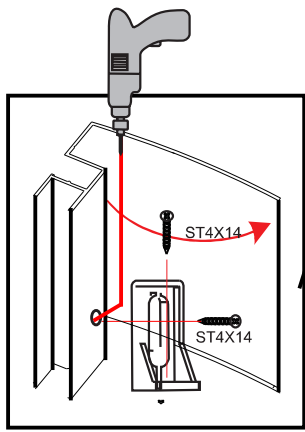
F

6

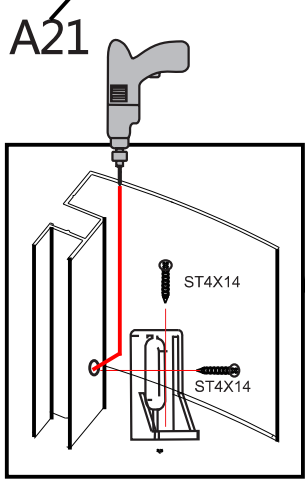
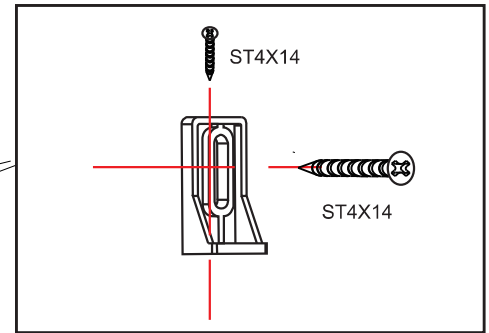
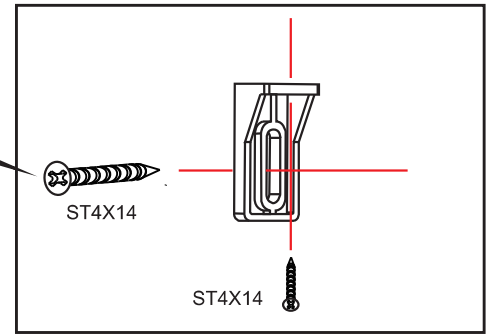




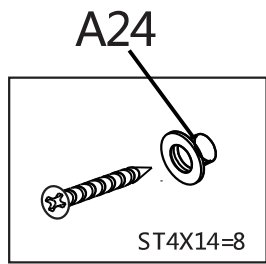




M4X25=2



A21



A24

ST4X14=8

