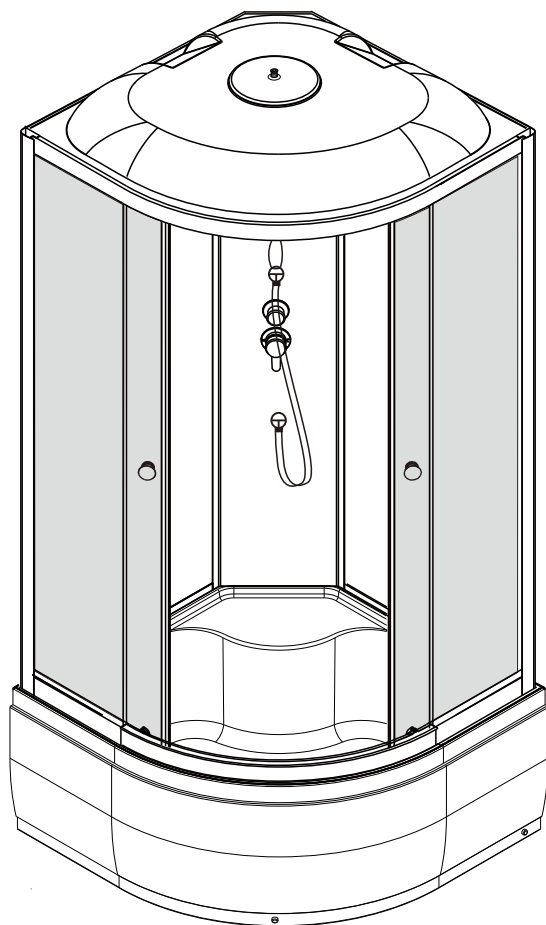
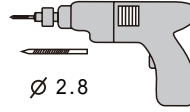


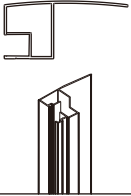



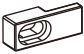


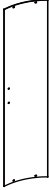
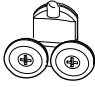


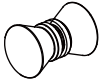
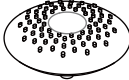


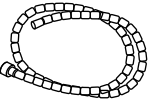






L/980/L990/L910

L890/L810

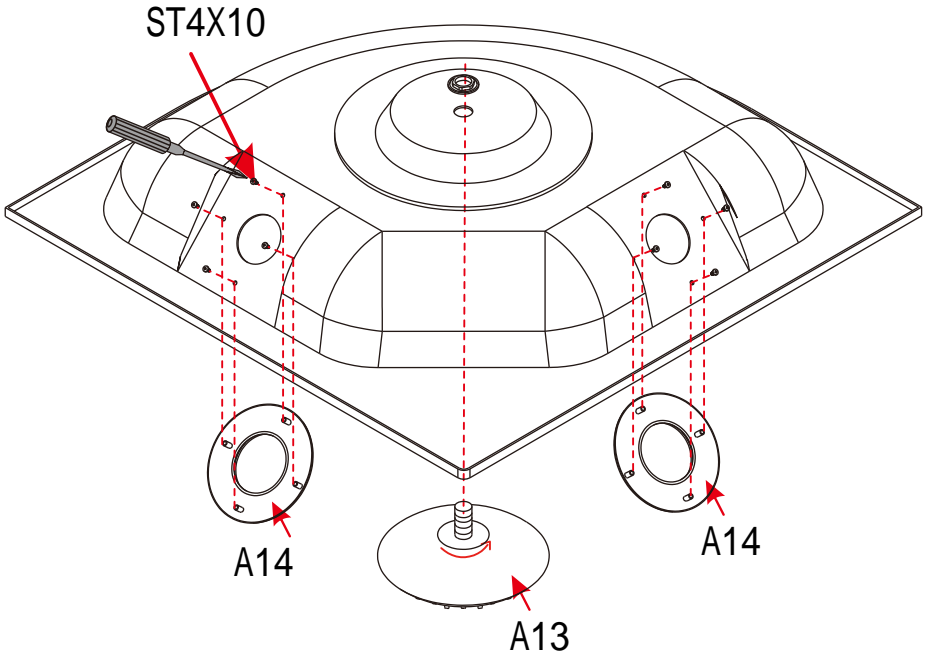
L/780/L790/L710

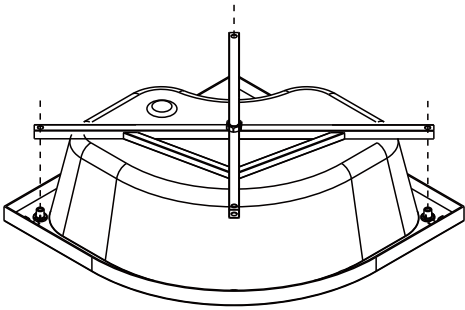
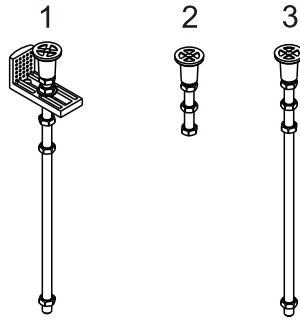
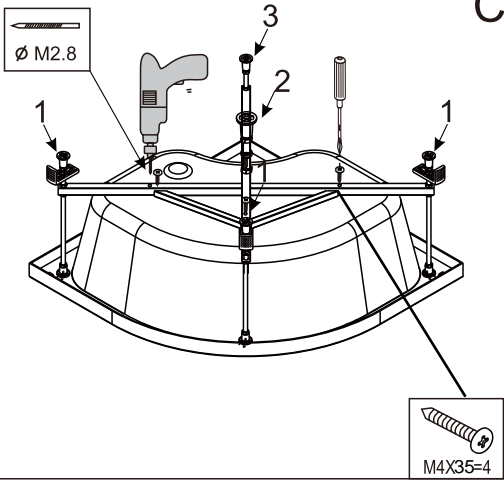
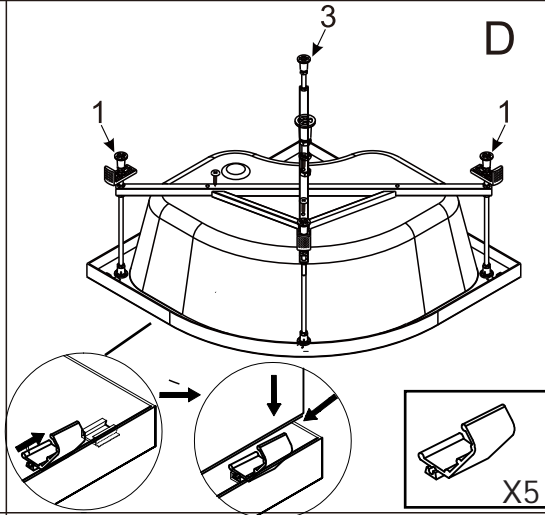
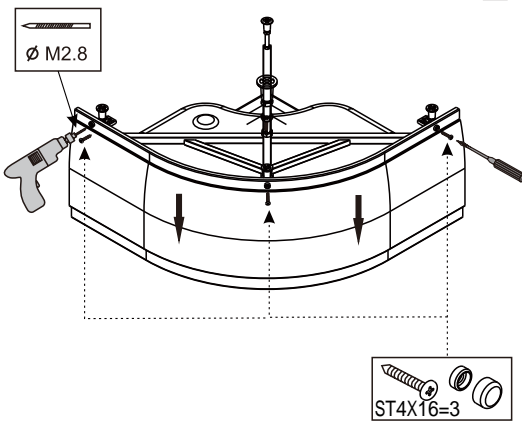




 <b>A1</b>	 <b>A2</b>	 <b>A3</b>	 <b>A4</b>	 <b>A5</b>
 <b>A6</b> <b>x4</b>	 <b>A7</b>	 <b>A8</b>	 <b>A9</b> <b>x4</b>	 <b>A10</b>
 <b>A11</b>	 <b>A12</b>	 <b>A13</b>	 <b>A14</b>	 <b>A15</b>
 <b>A16</b>	<p><b>M4X25 =2</b></p>  <b>A17</b>	 <b>A18</b>	 <b>A19</b>	 <b>A20</b> <b>x4</b>
		 <b>ST4X12=4</b>	<p><b>ST4X50=8</b>  <b>ST4X10=32</b>  <b>ST4X12=8</b></p>	





**A****B****C****D****E****F**