

# LLD2

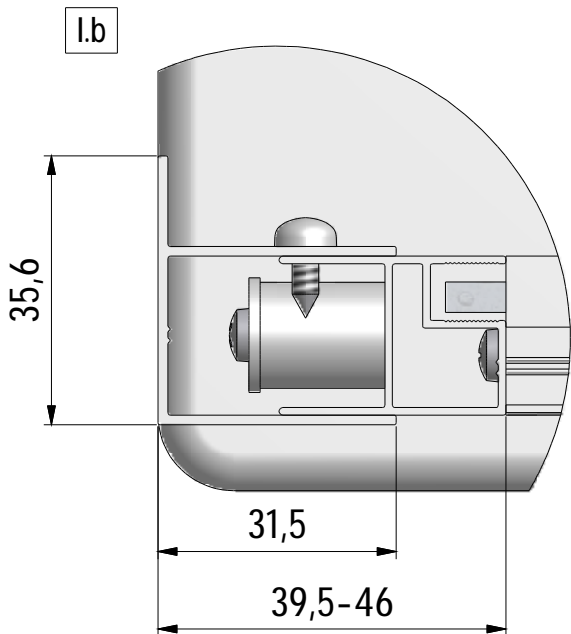
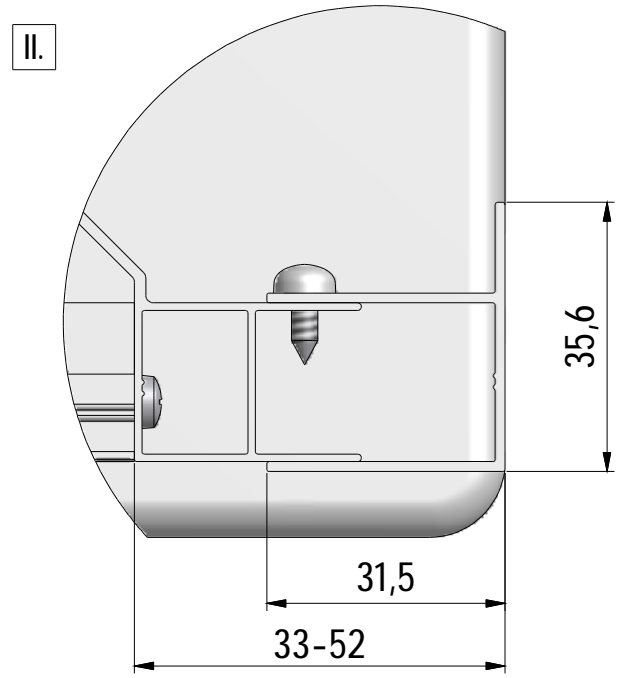
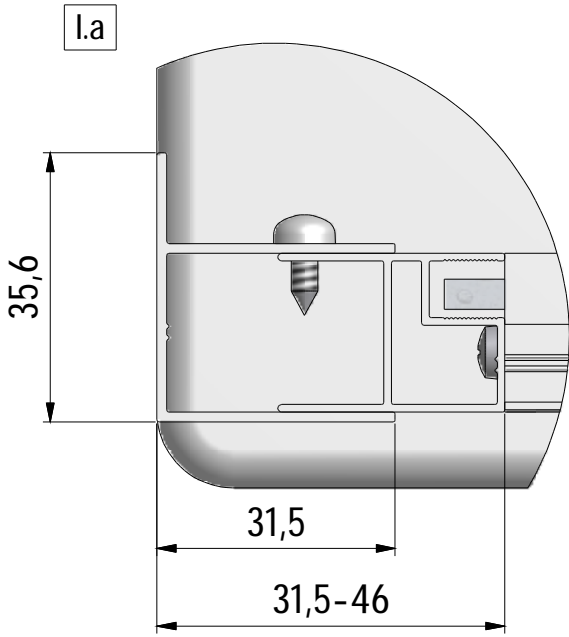
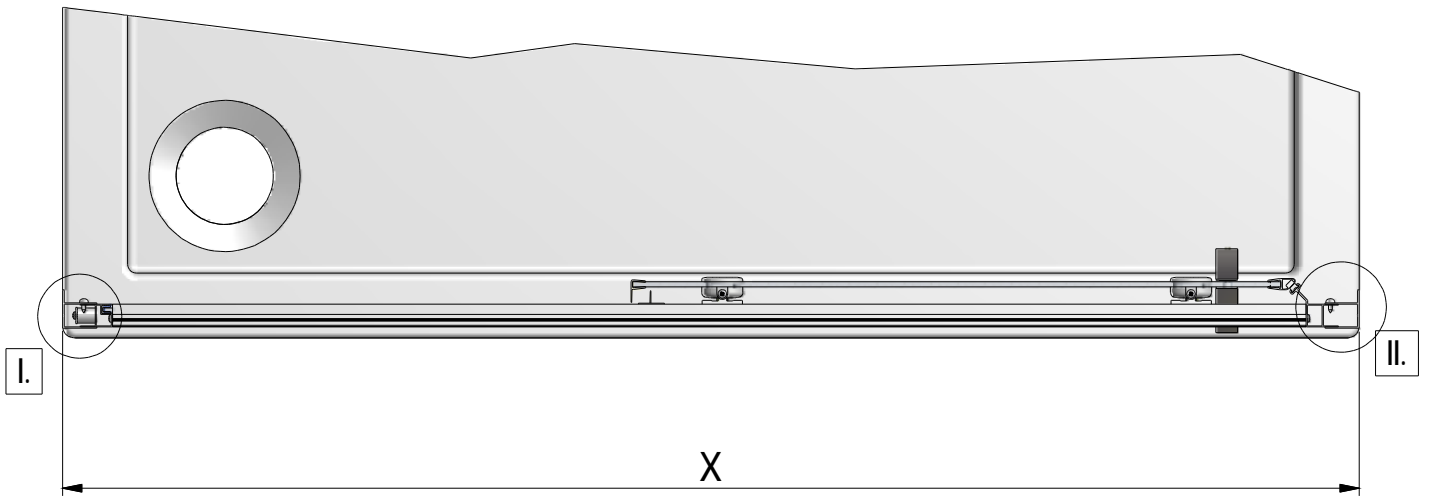


Roltechnik a.s.; Czech Republic, 56933 Třebořov 160,  
tel.:+420 461 324 301/302, fax: +420 461 324 297,  
<http://www.roltechnik.com>; e-mail: [objednavky@roltechnik.cz](mailto:objednavky@roltechnik.cz)

2014/12/03

Rev.:00  
MA2854





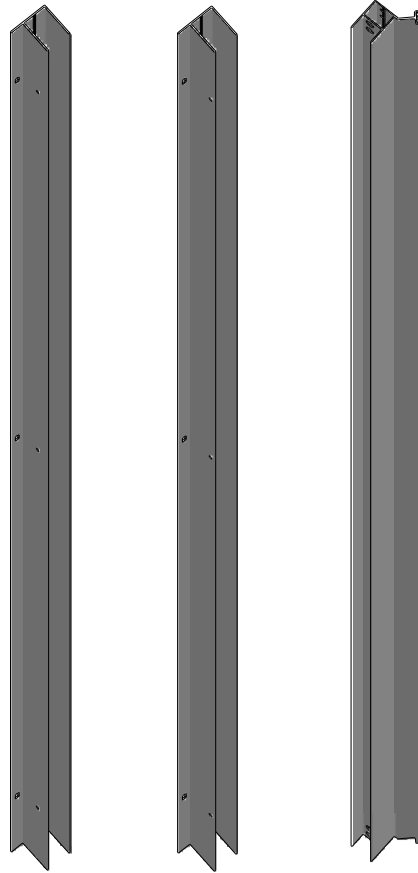
	Xa (MIN-MAX)	Xb (MIN-MAX)
1000	970-1005	978-1005
1200	1170-1205	1178-1205
1400	1370-1405	1378-1405
1600	1570-1605	1578-1605

3. 1x (P3081) 7. 1x (P3101) 9. 1x

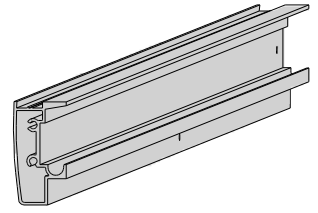
1. 1x  
V132



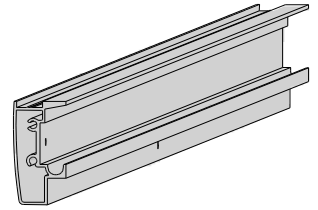
2. 1x  
V134



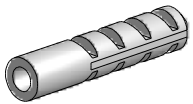
8A. 1x (P168)



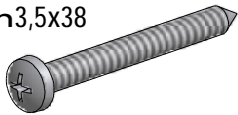
8B. 1x (P169)



4. 6x (M0511)



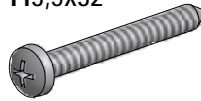
5. 3x (M0795)  
n3,5x38



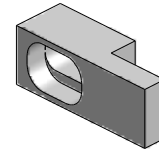
6. 12x (MA0511)



10. 8x (M0794)  
n3,5x32



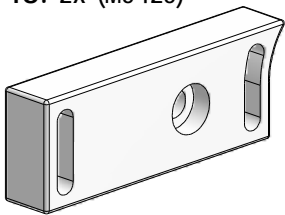
11. 2x (MA0064)



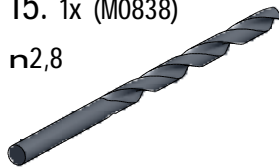
12. 10x (M0806)  
n3,5x9,5



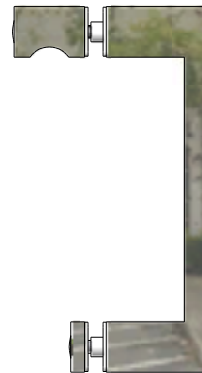
13. 2x (M5425)



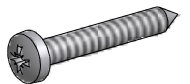
15. 1x (M0838)  
n2,8



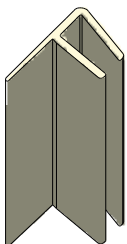
22. 1x (MA2331)



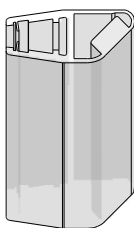
25. 3x (M0790)  
n3,5x19



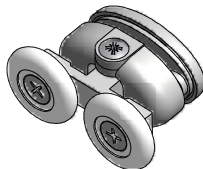
17. 1x+1x  
(P3200;P3201)



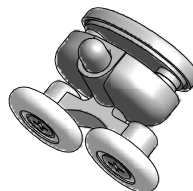
18. 1x (MA2020)



20. 2x (M9886)

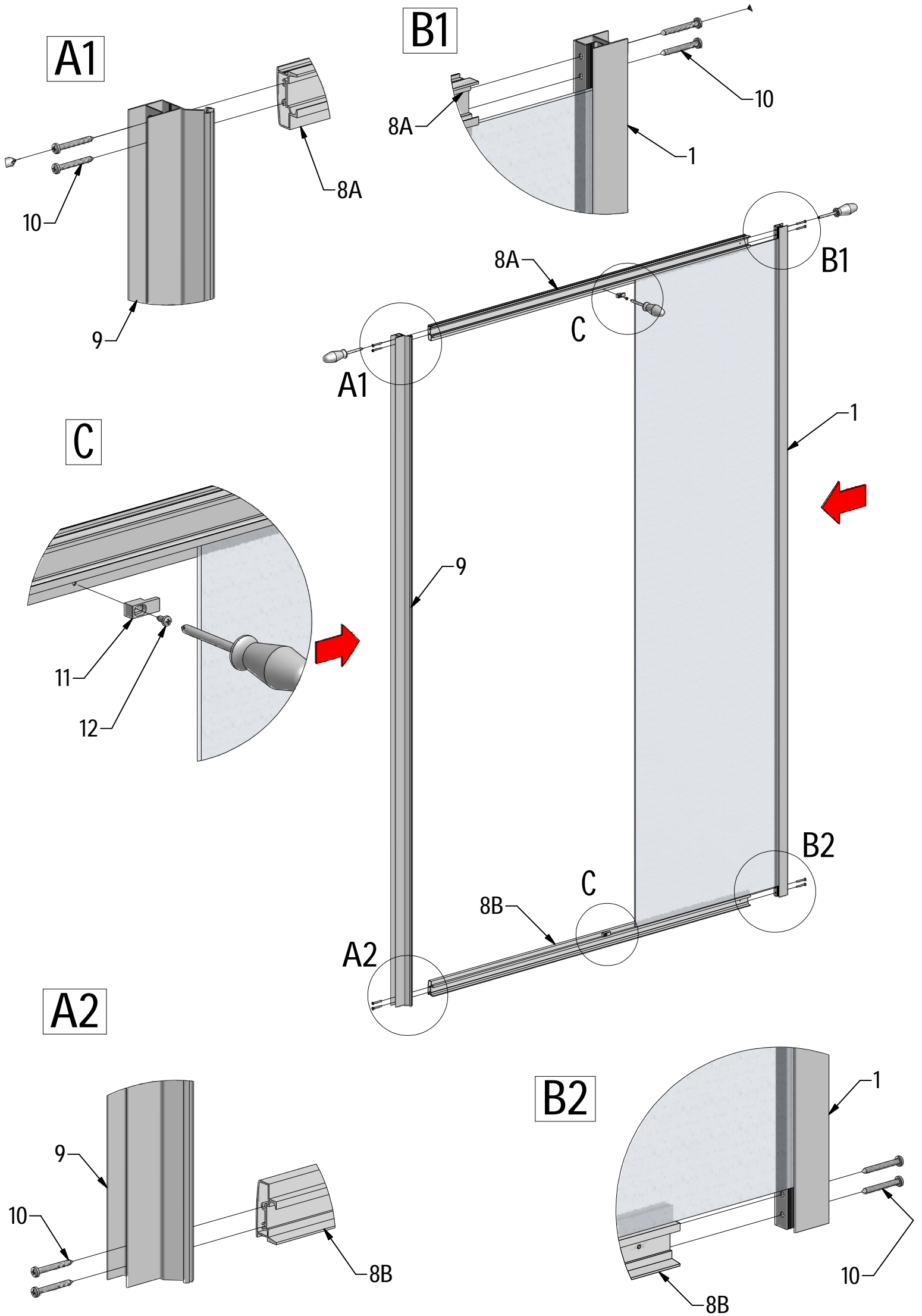


21. 2x (MA1870)



28. 1x (M0341)

ROLTECHNIK



A1

B1

C

A2

B2

10

8A

10

8A

8A

1

9

8A

C

B1

A1

1



9

11

12



B2

A2

8B

C

9

10

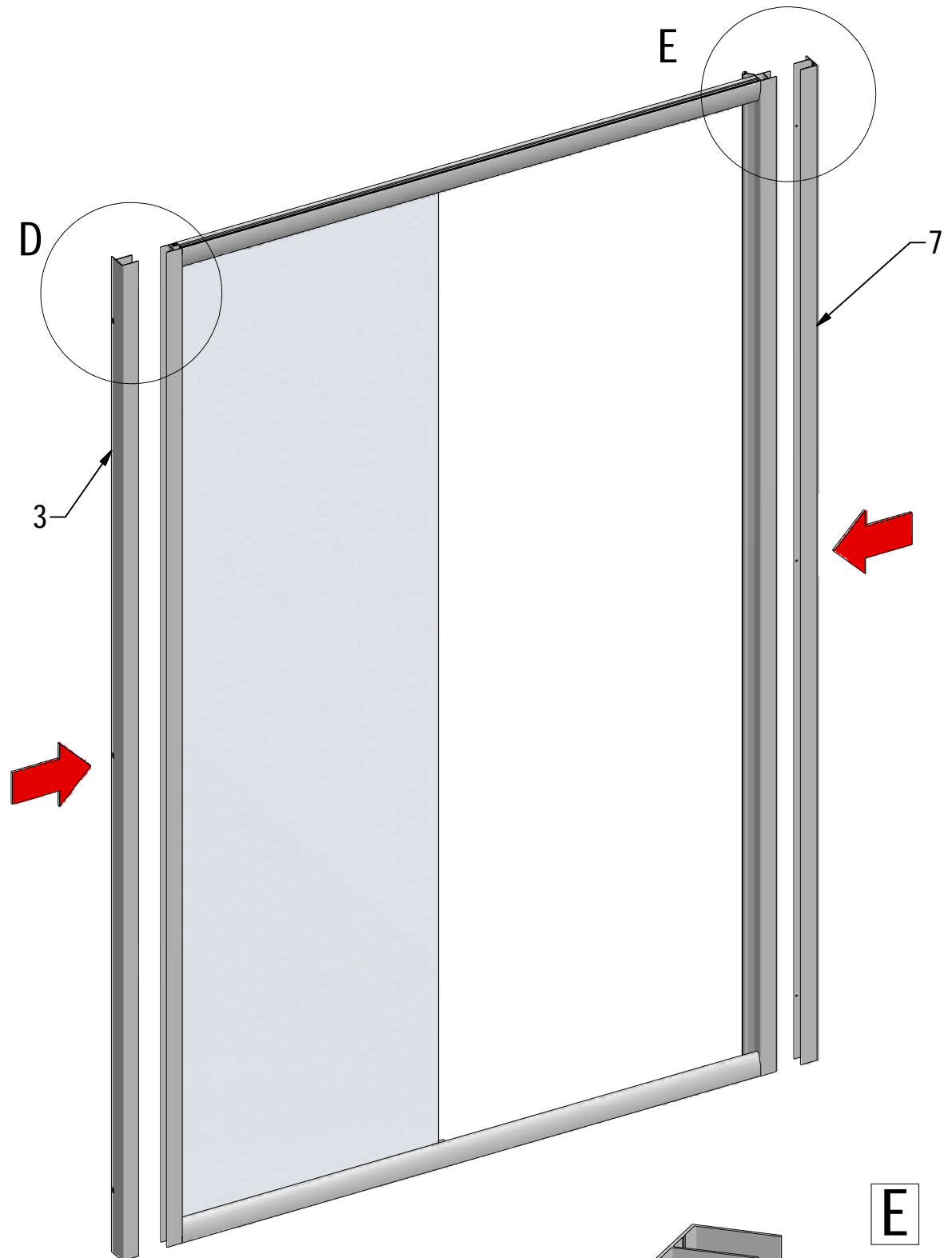
8B

B2

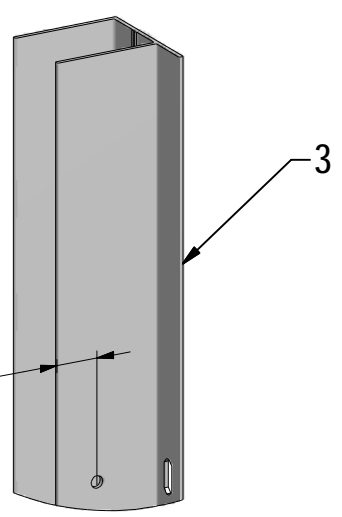
1

10

8B

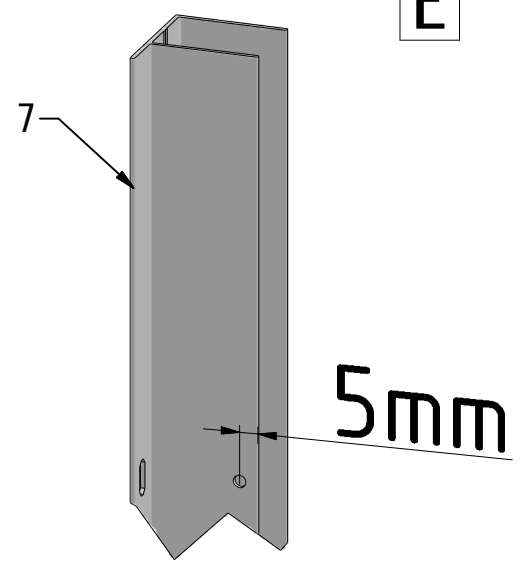


D



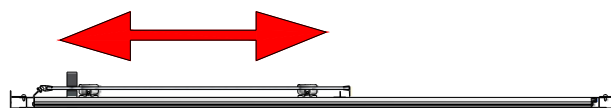
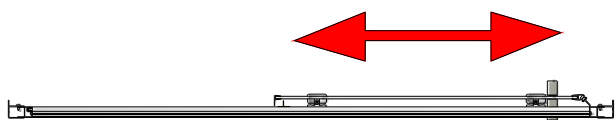
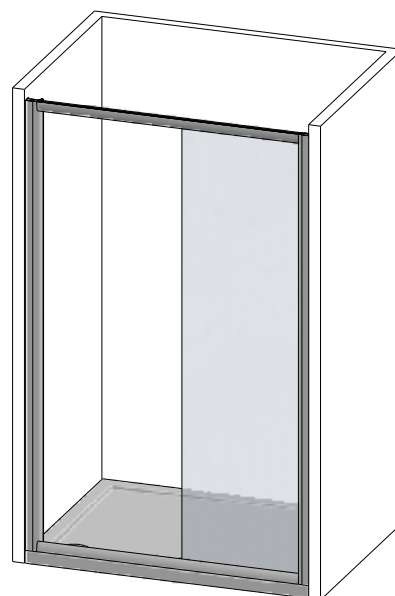
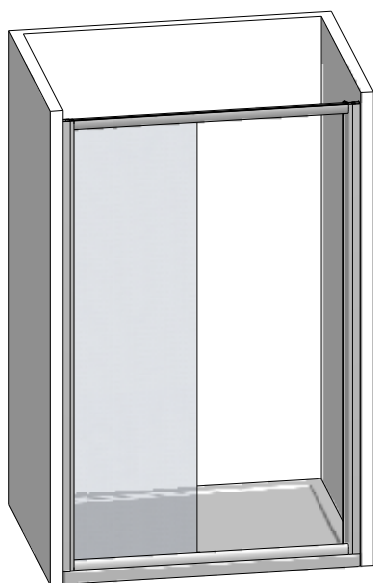
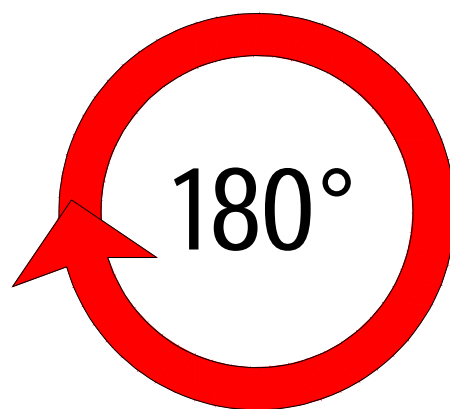
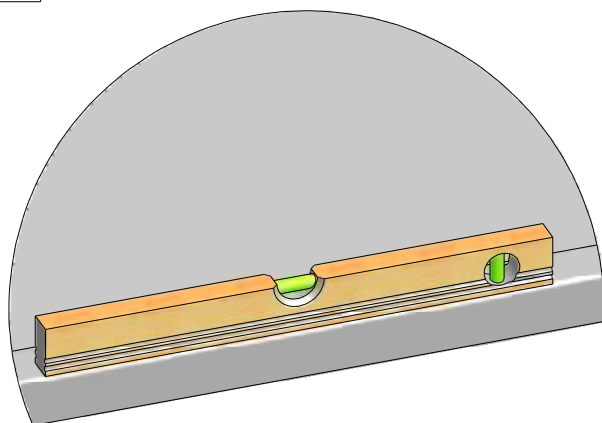
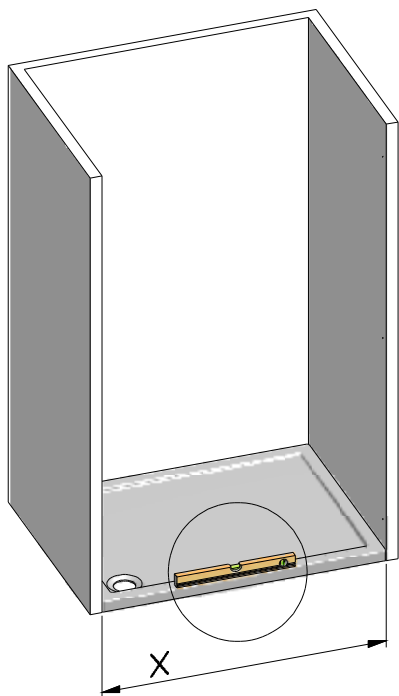
12mm

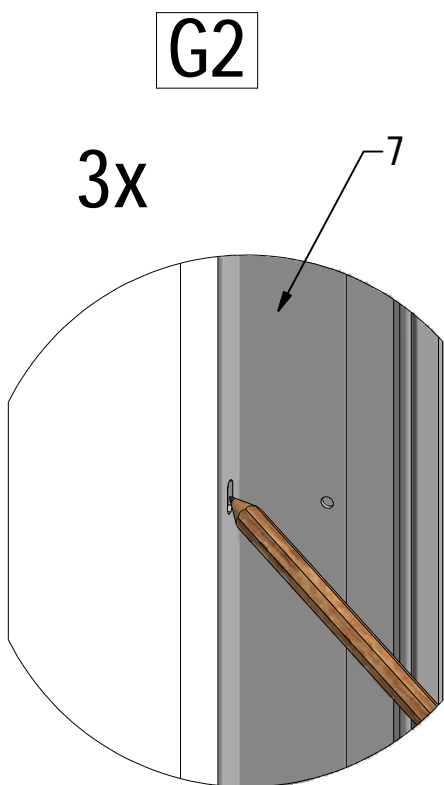
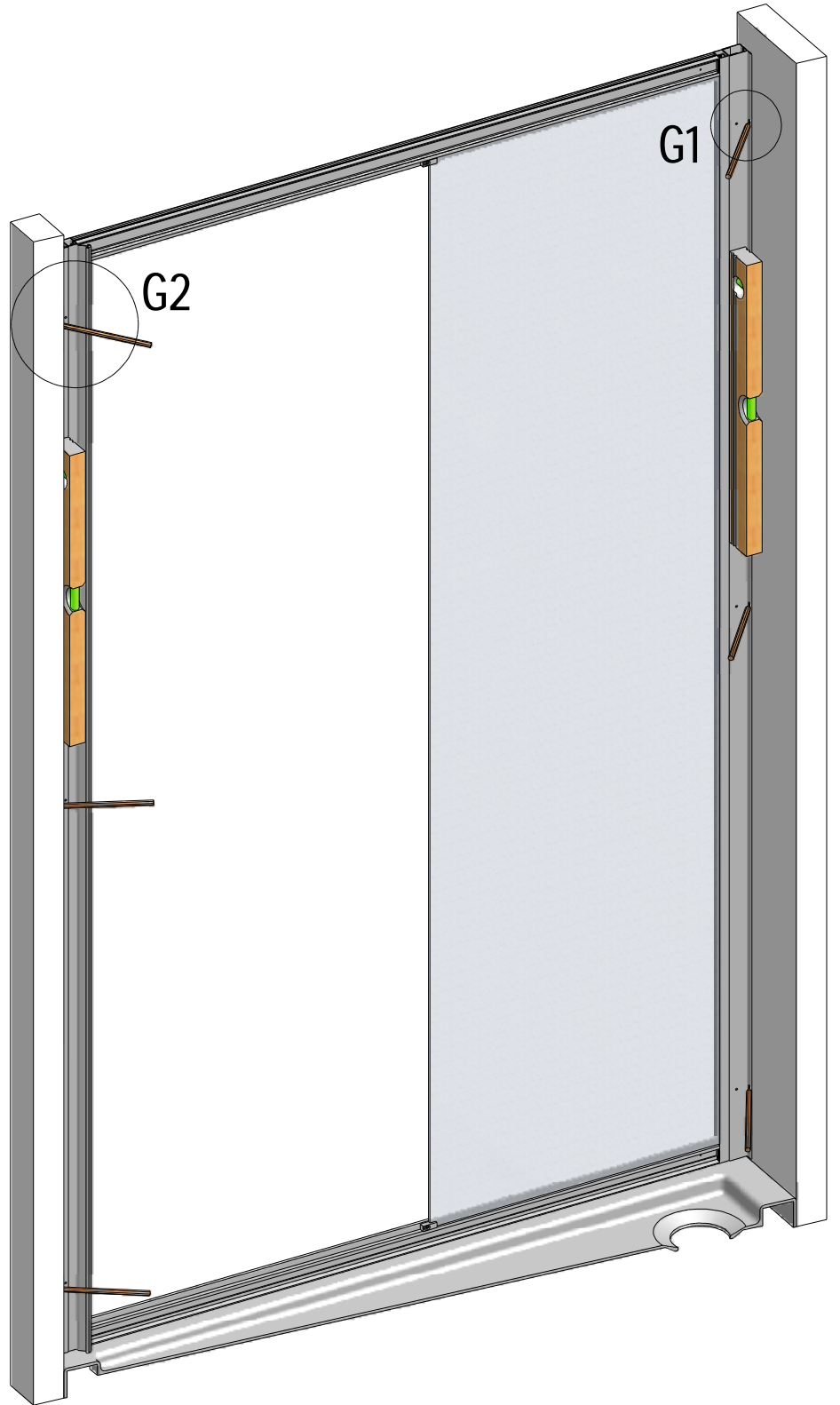
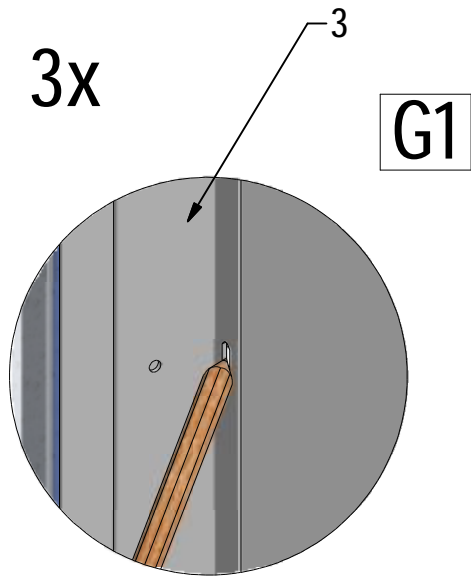
E



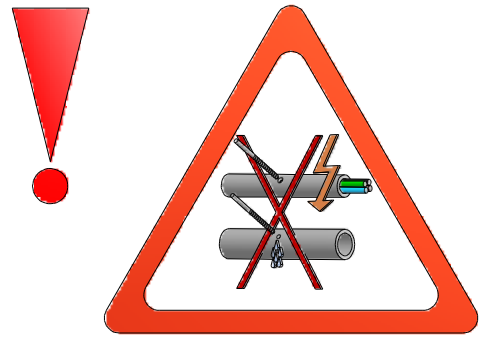
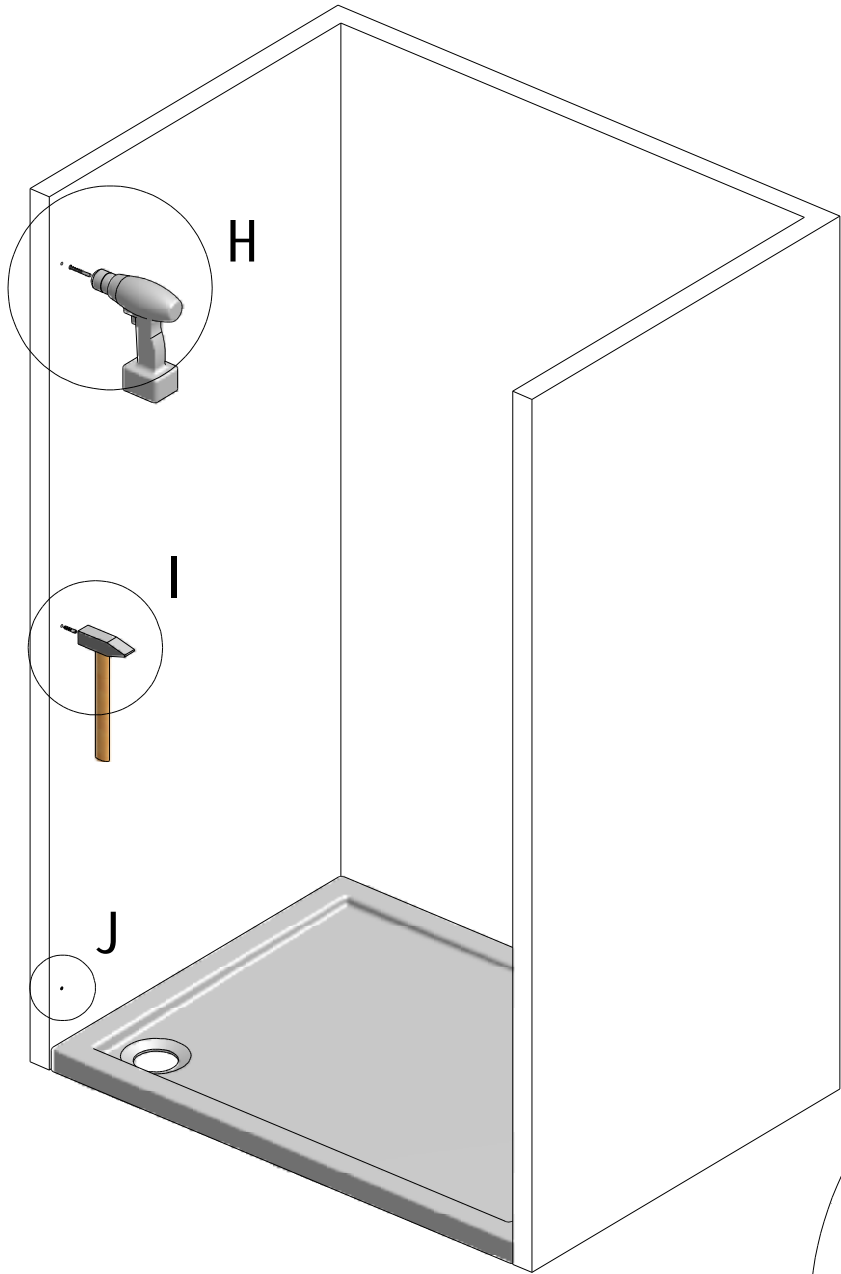
5mm

F

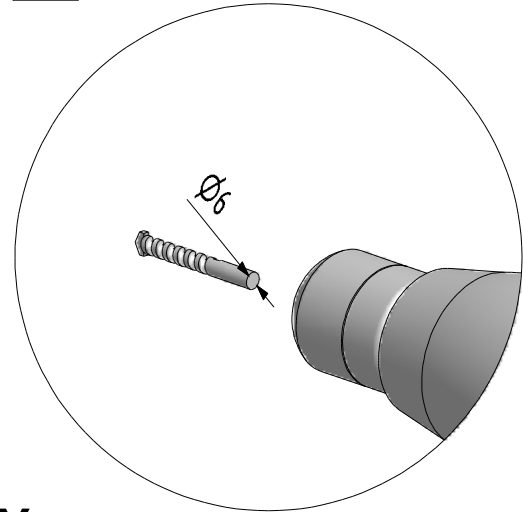




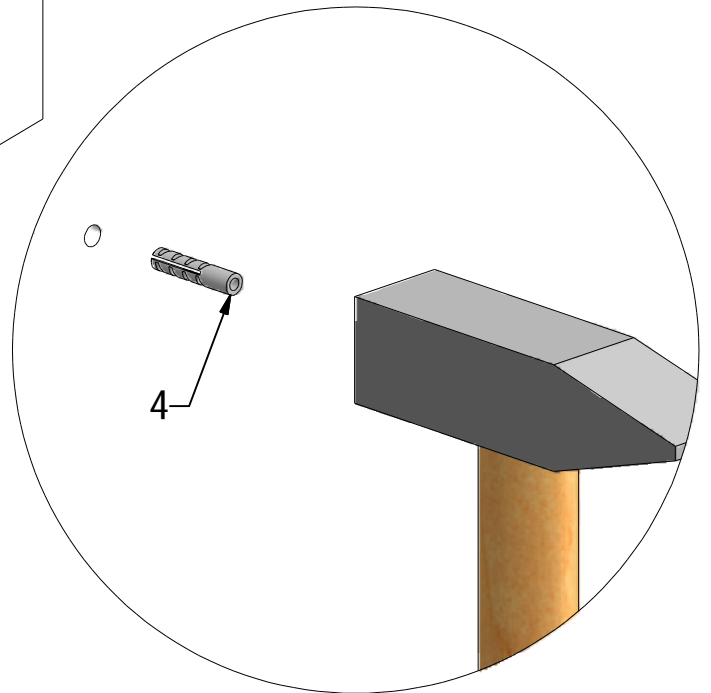




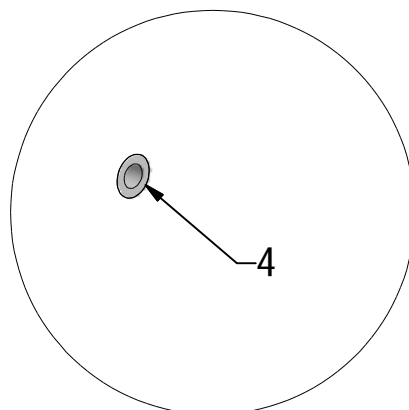
**H** 6x

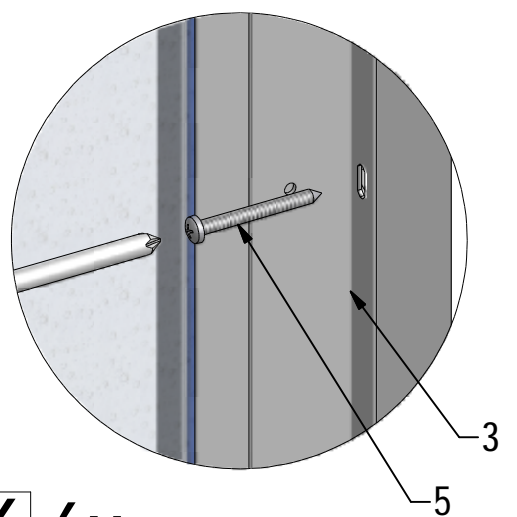
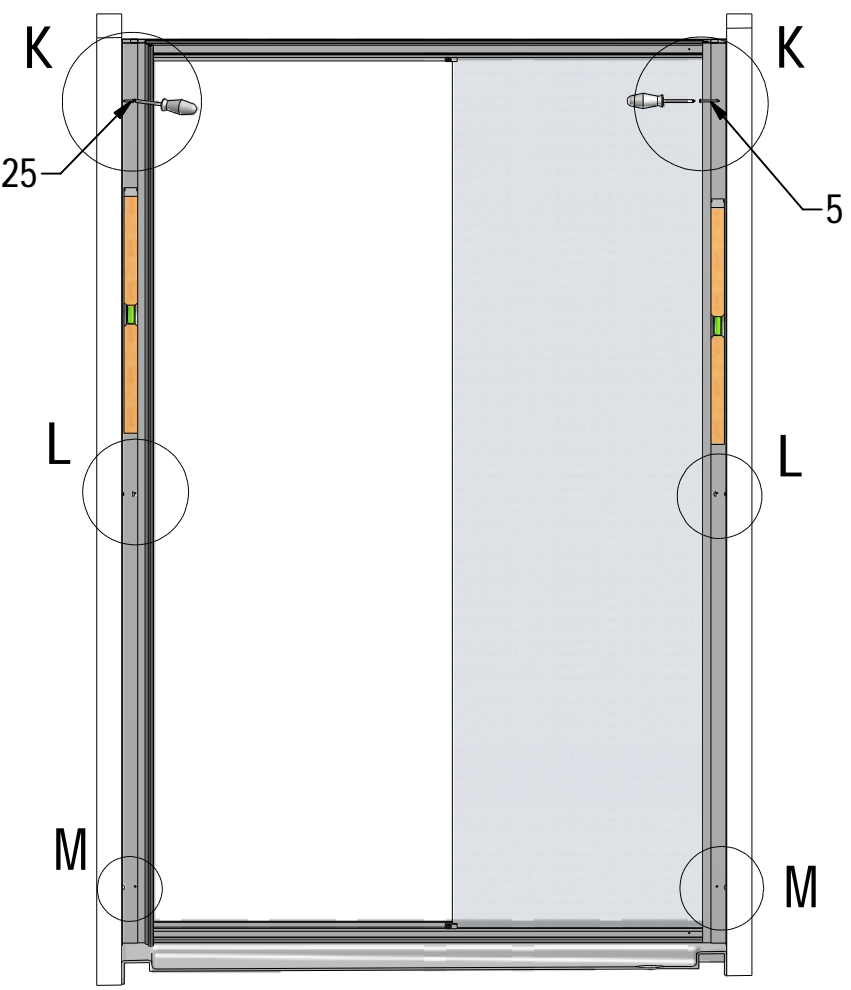


**I** 6x

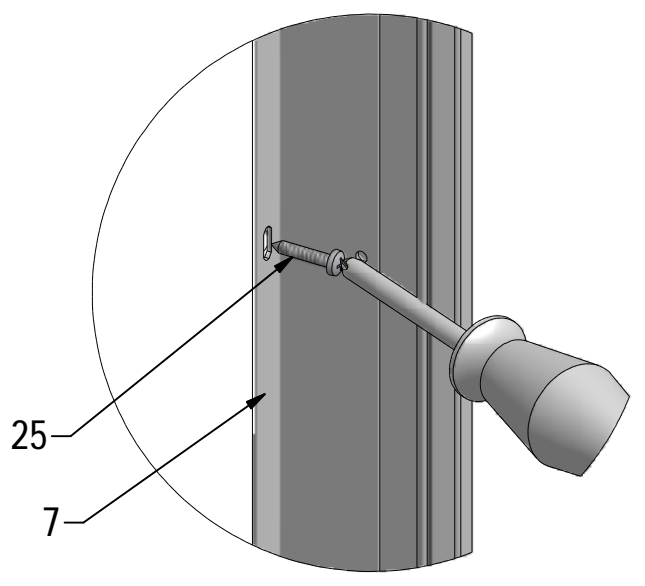


**J** 6x

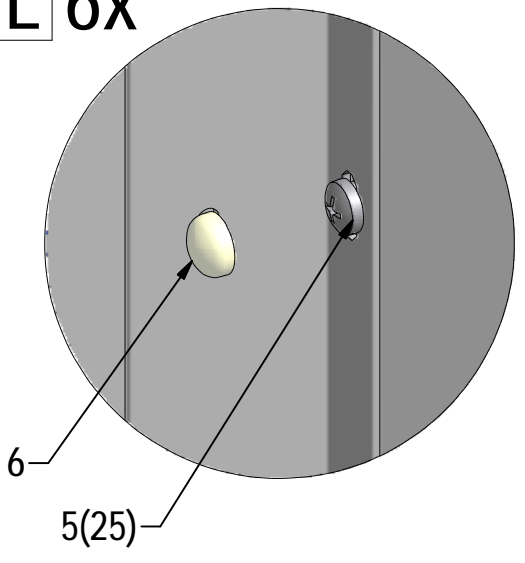




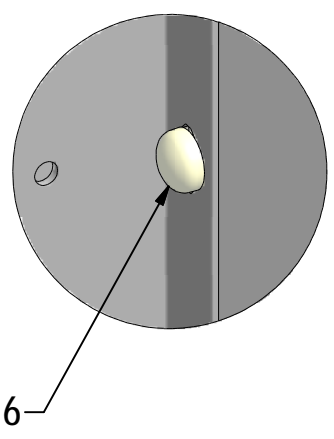
**K 6x**



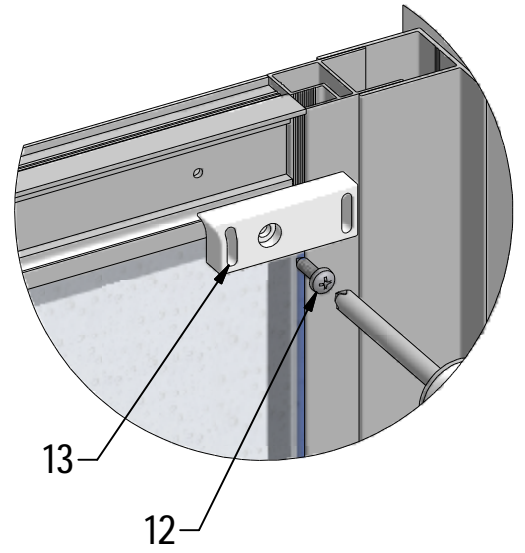
**L 6x**



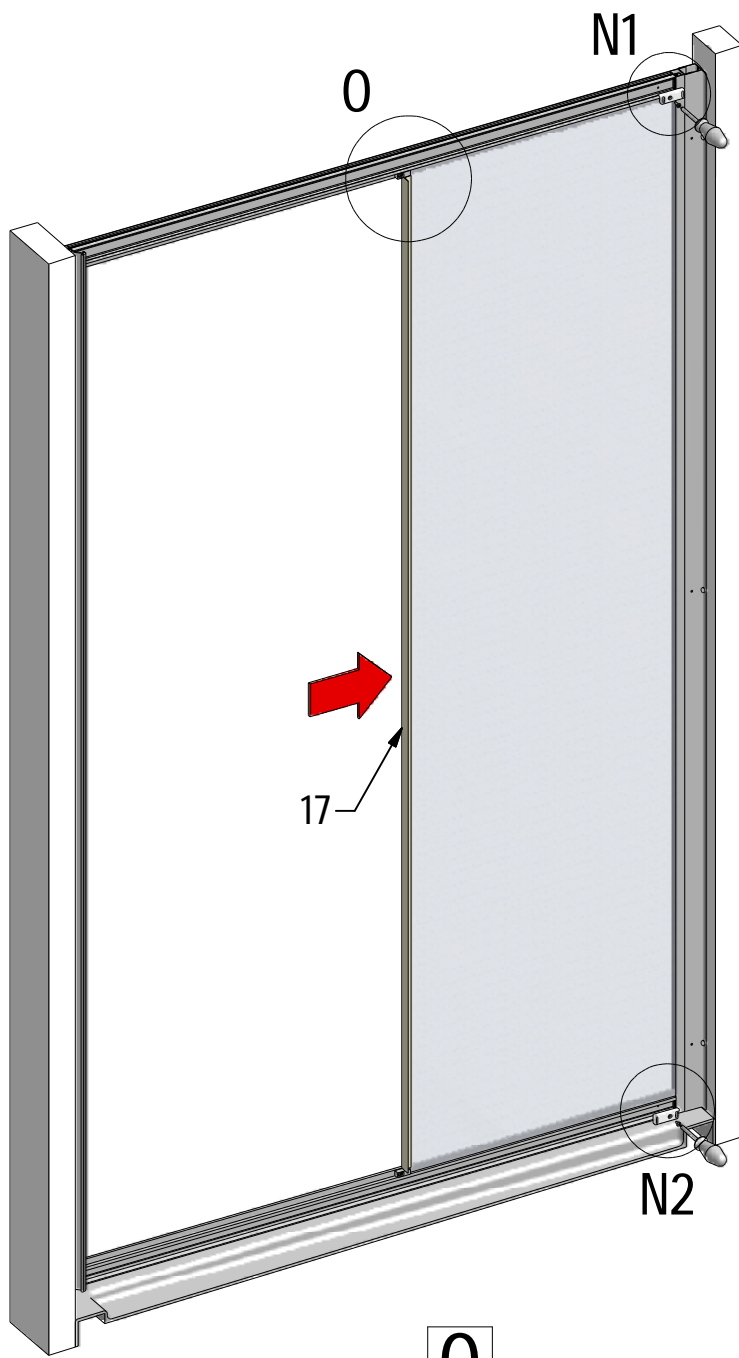
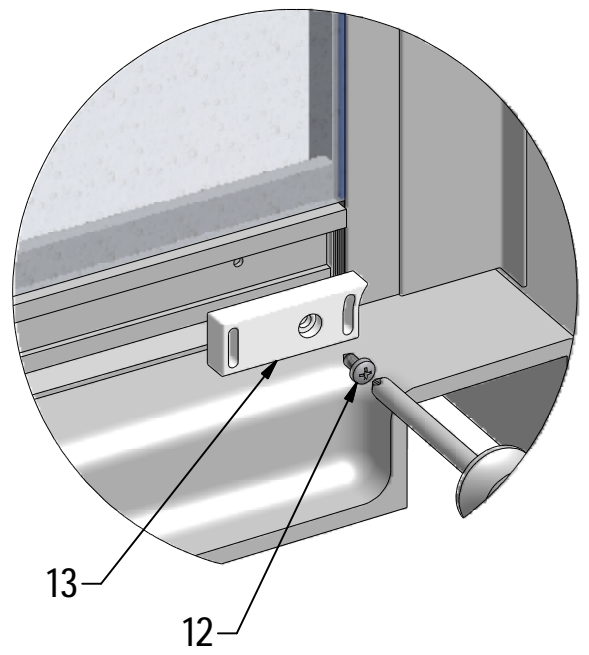
**M 6x**



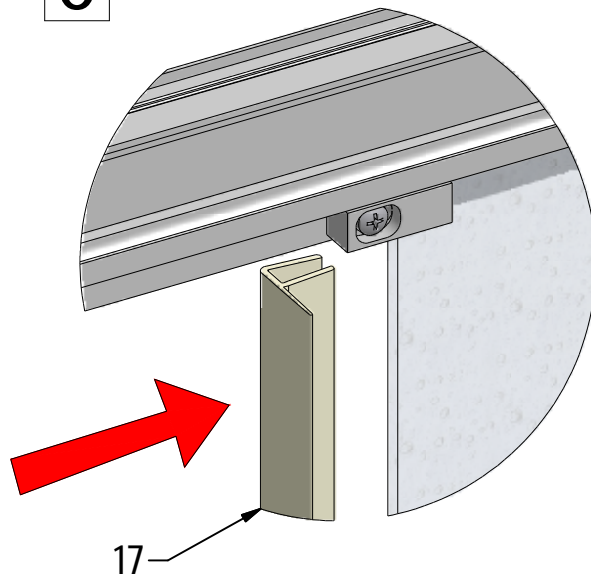
N1



N2

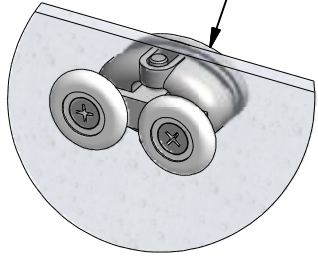


0



P

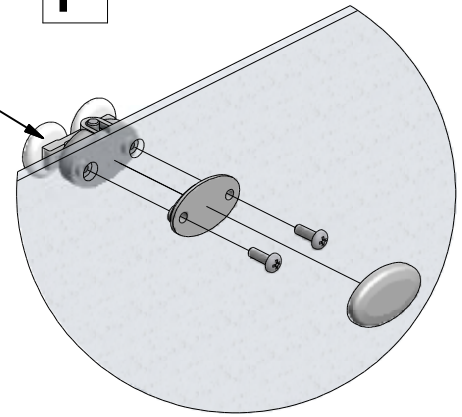
20



(DE) Behandelten Seite (INNERE)  
(GB) Treated side (INTERIOR)  
Nanoglass INTERIER

P

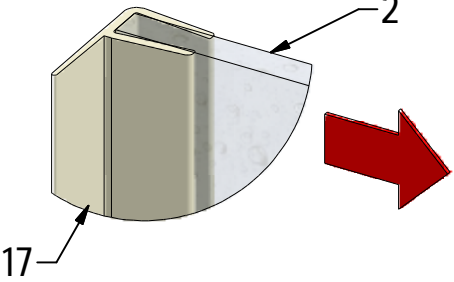
20



(DE) Marke BLAU (äußere)  
(GB) Sing BLUE (EXTERIOR)  
modrý štítek EXTERIER

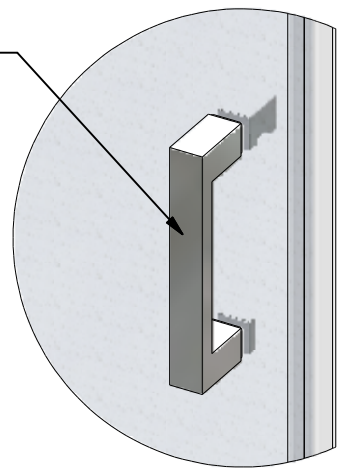
S

2



R

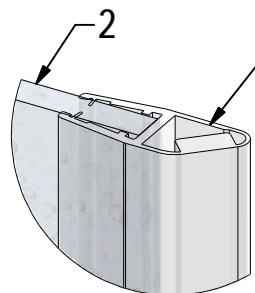
22



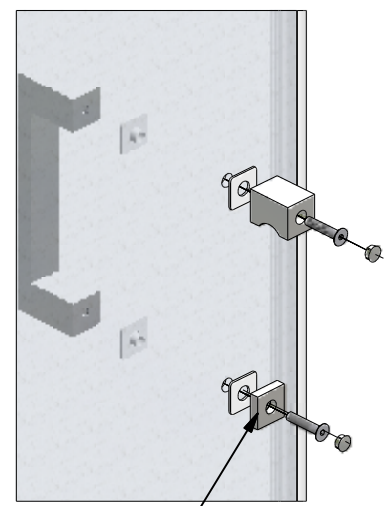
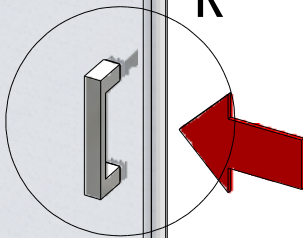
T

2

18



R

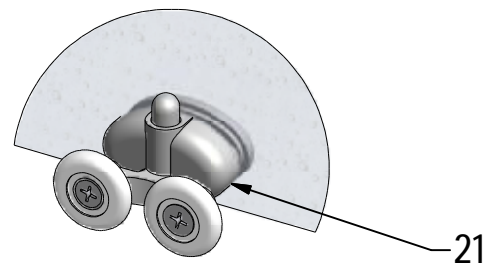


22

Q

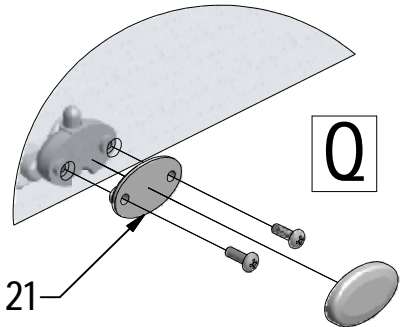
Q

Q

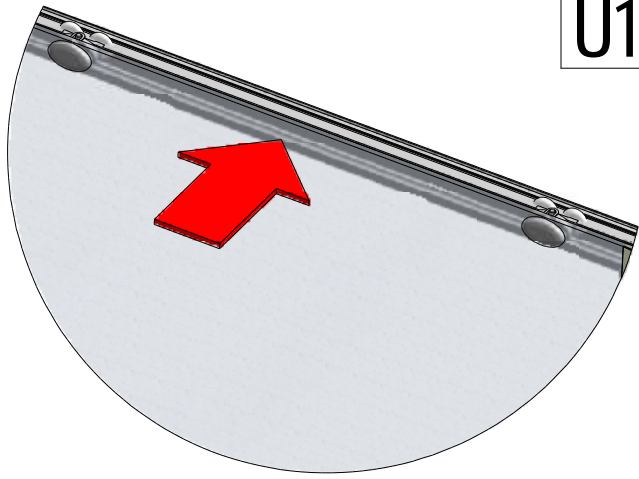


Q

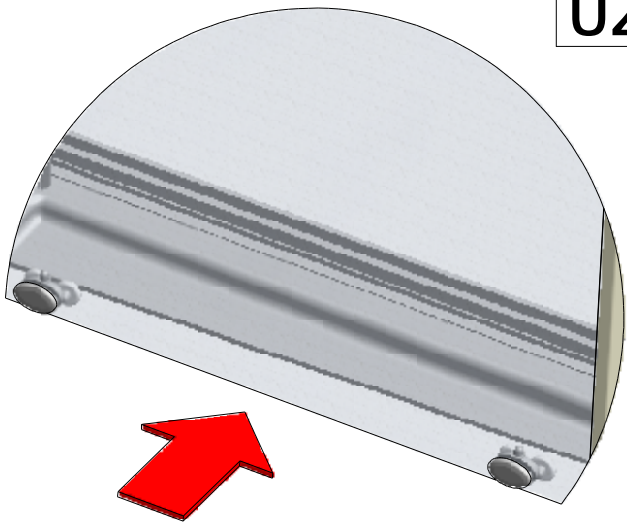
21



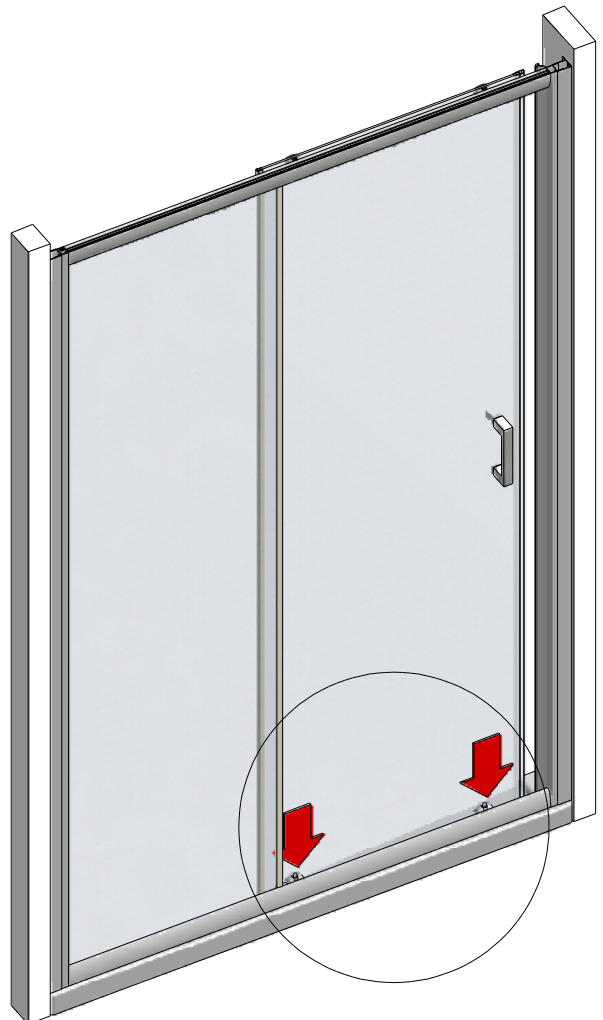
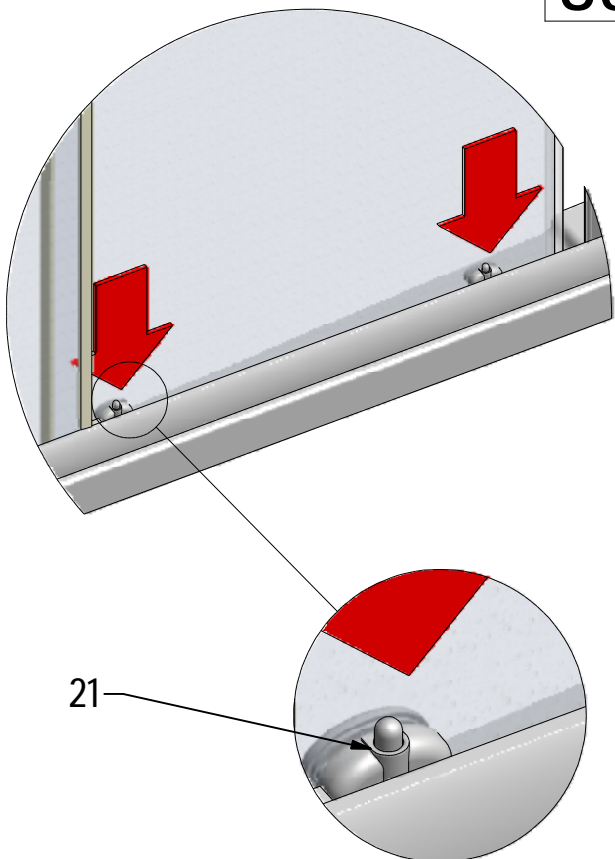
U1

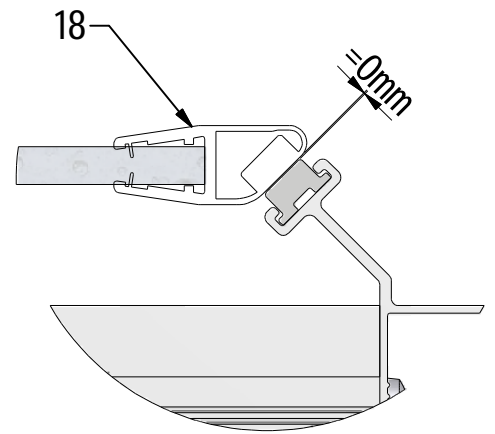
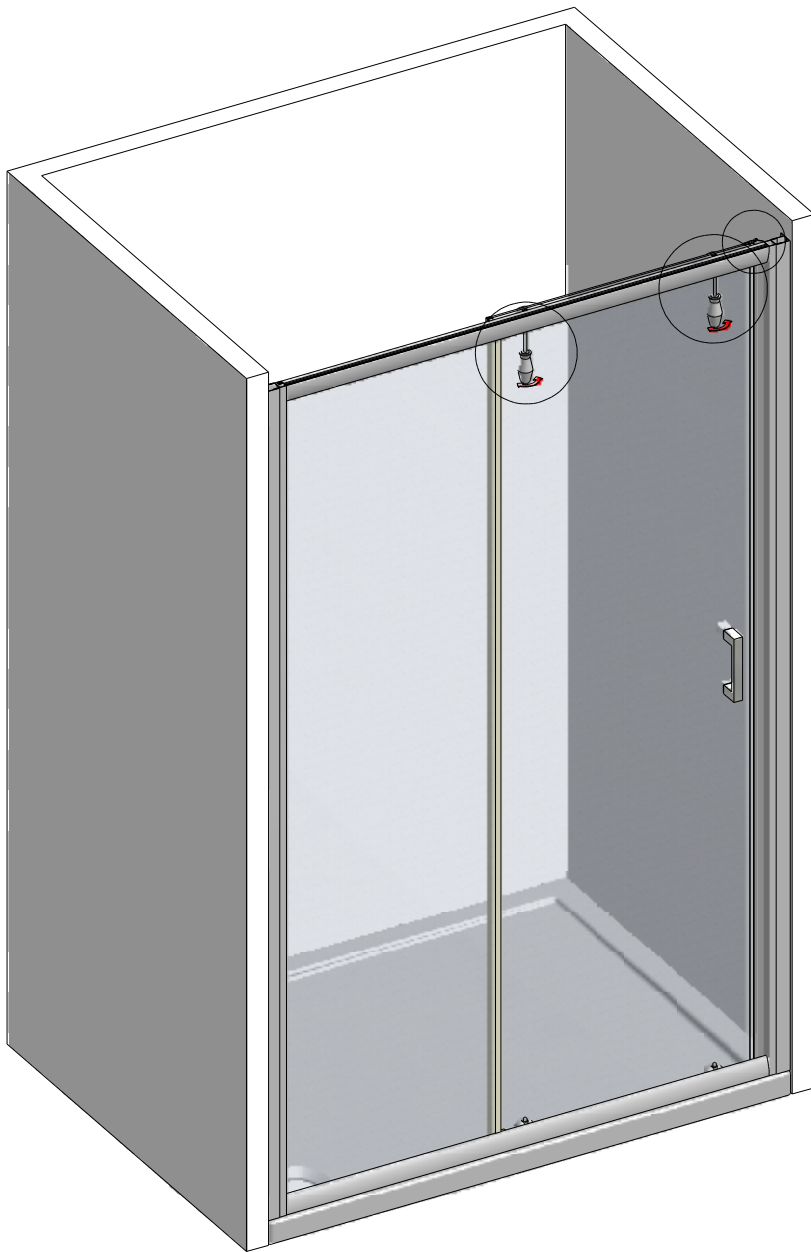


U2

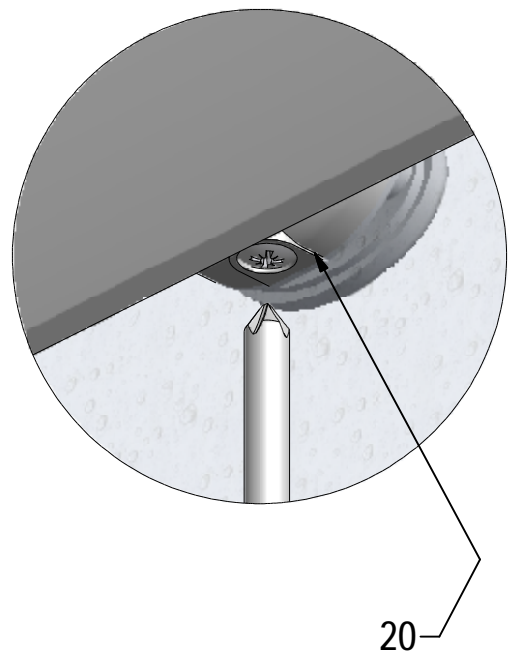
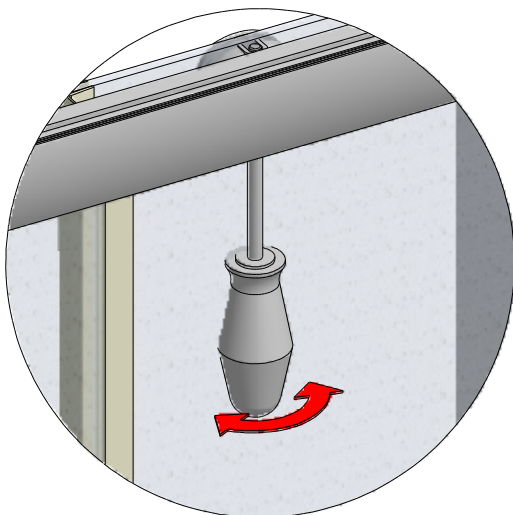


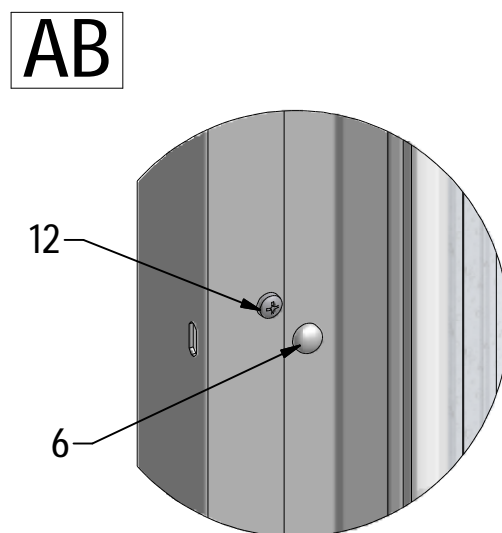
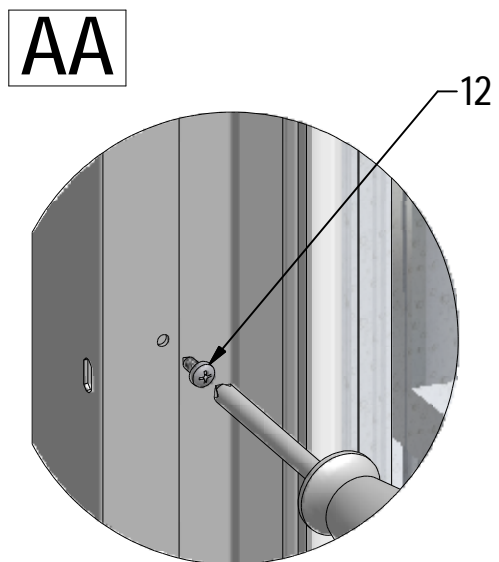
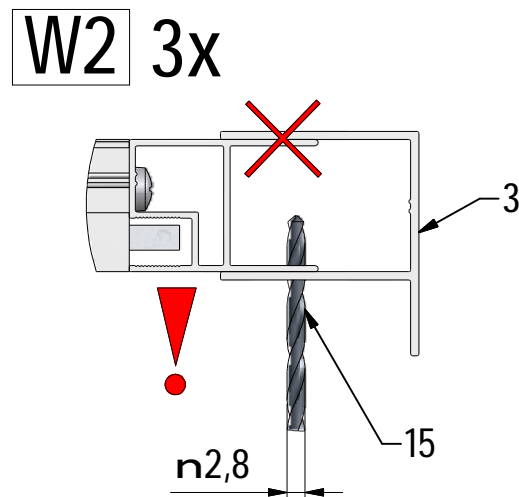
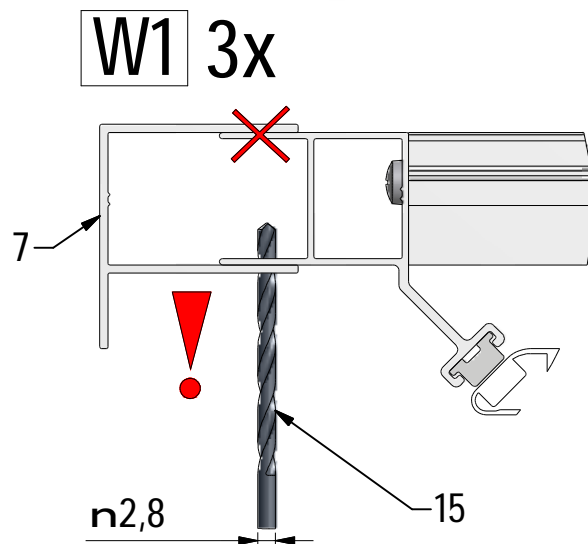
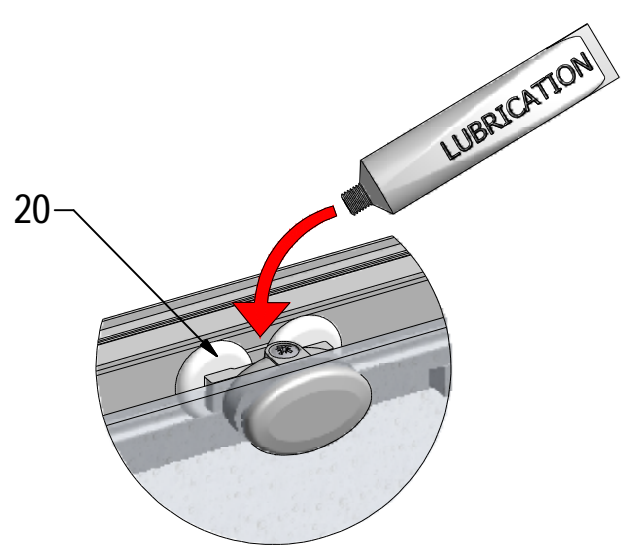
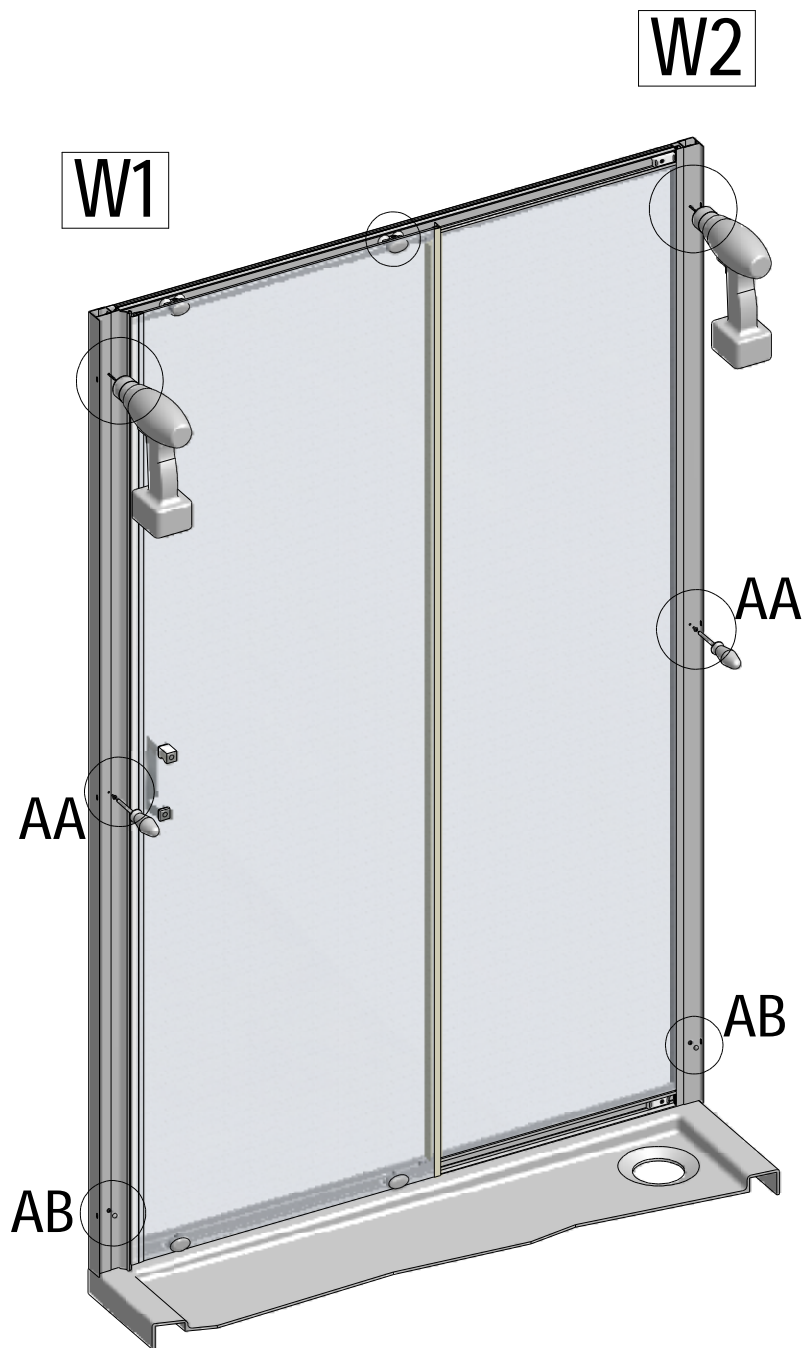
U3

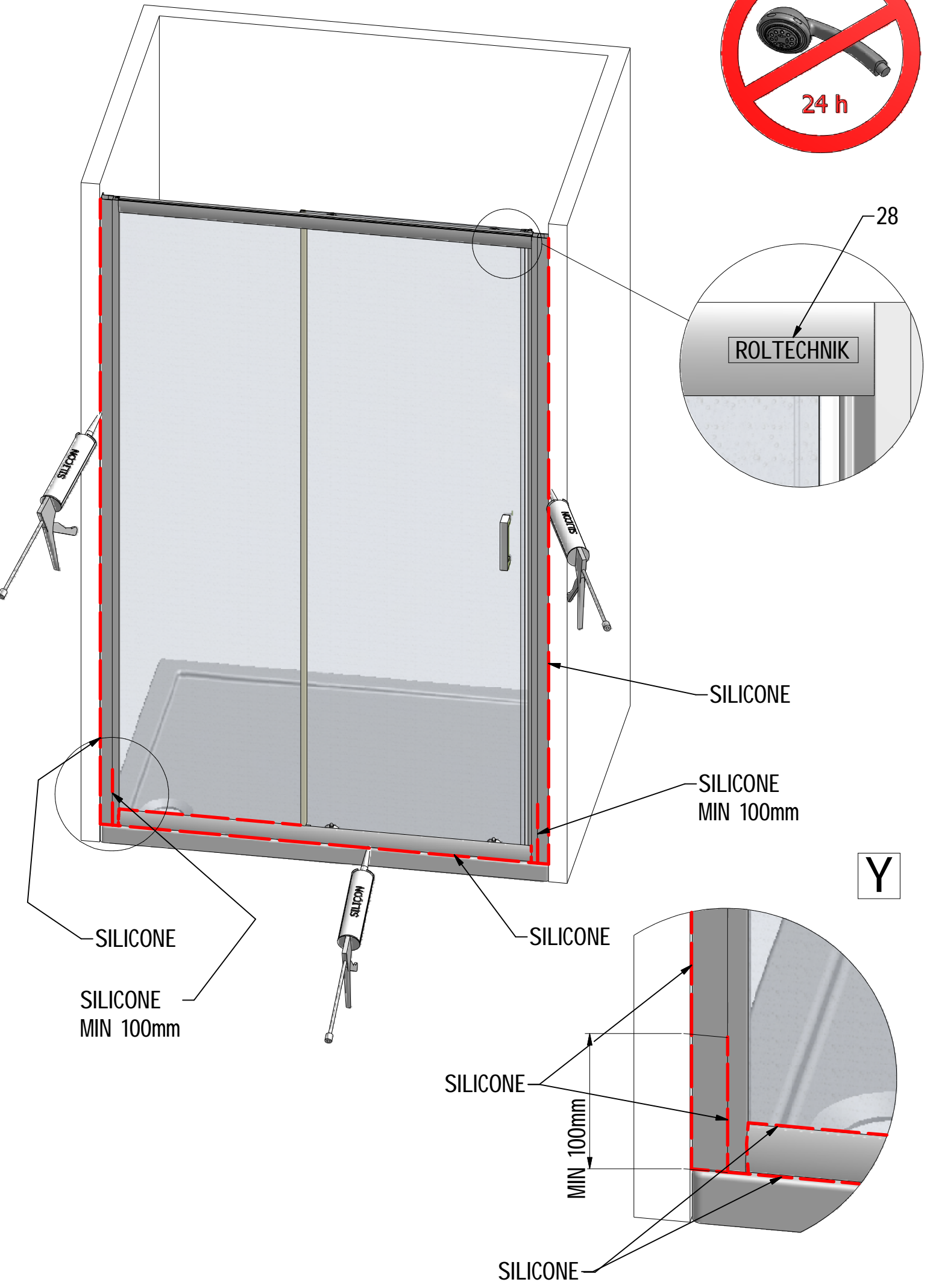




V







24 h

28

ROLTECHNIK

SILICONE

SILICONE  
MIN 100mm

Y

SILICONE

SILICONE  
MIN 100mm

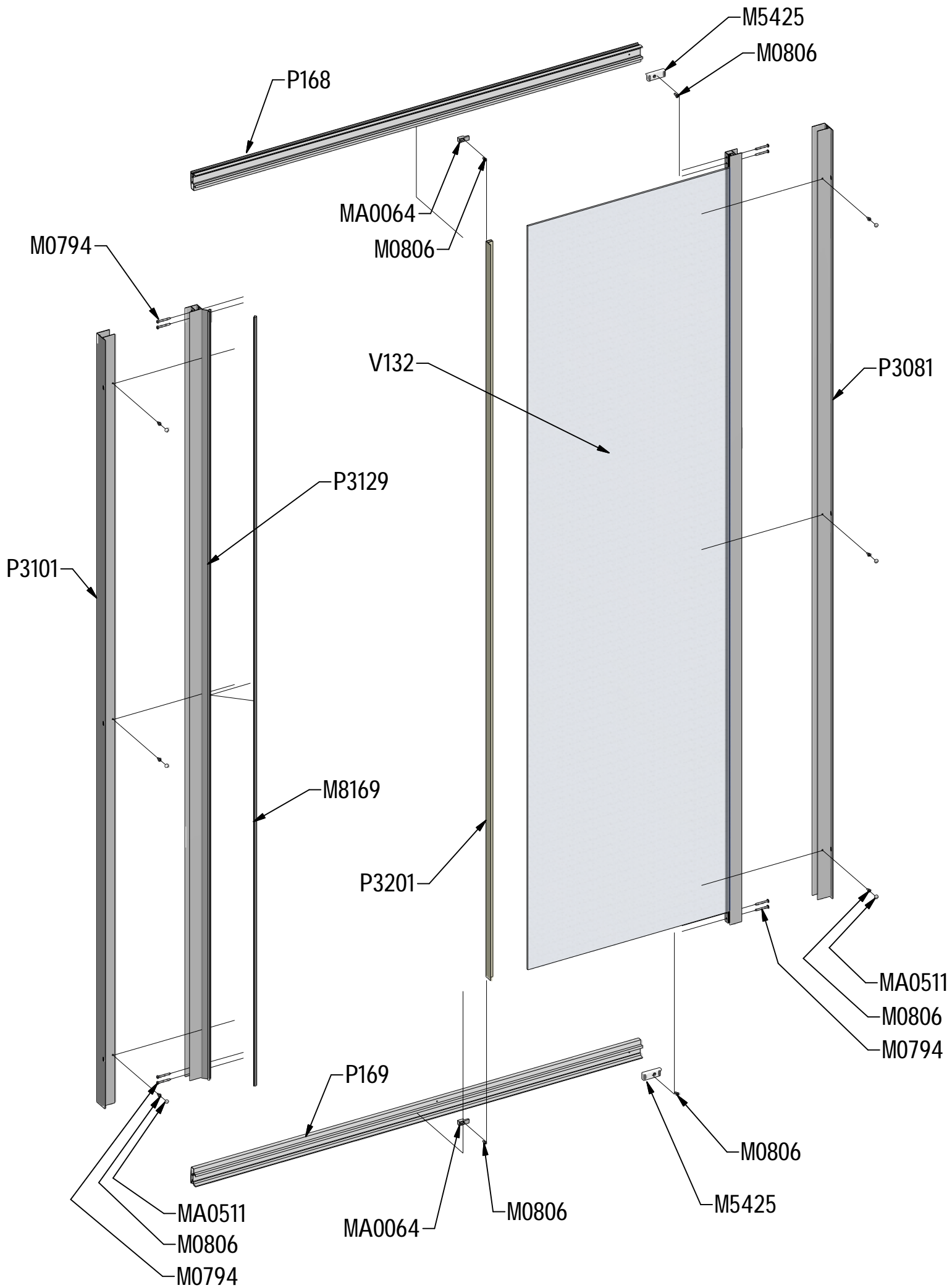
SILICONE

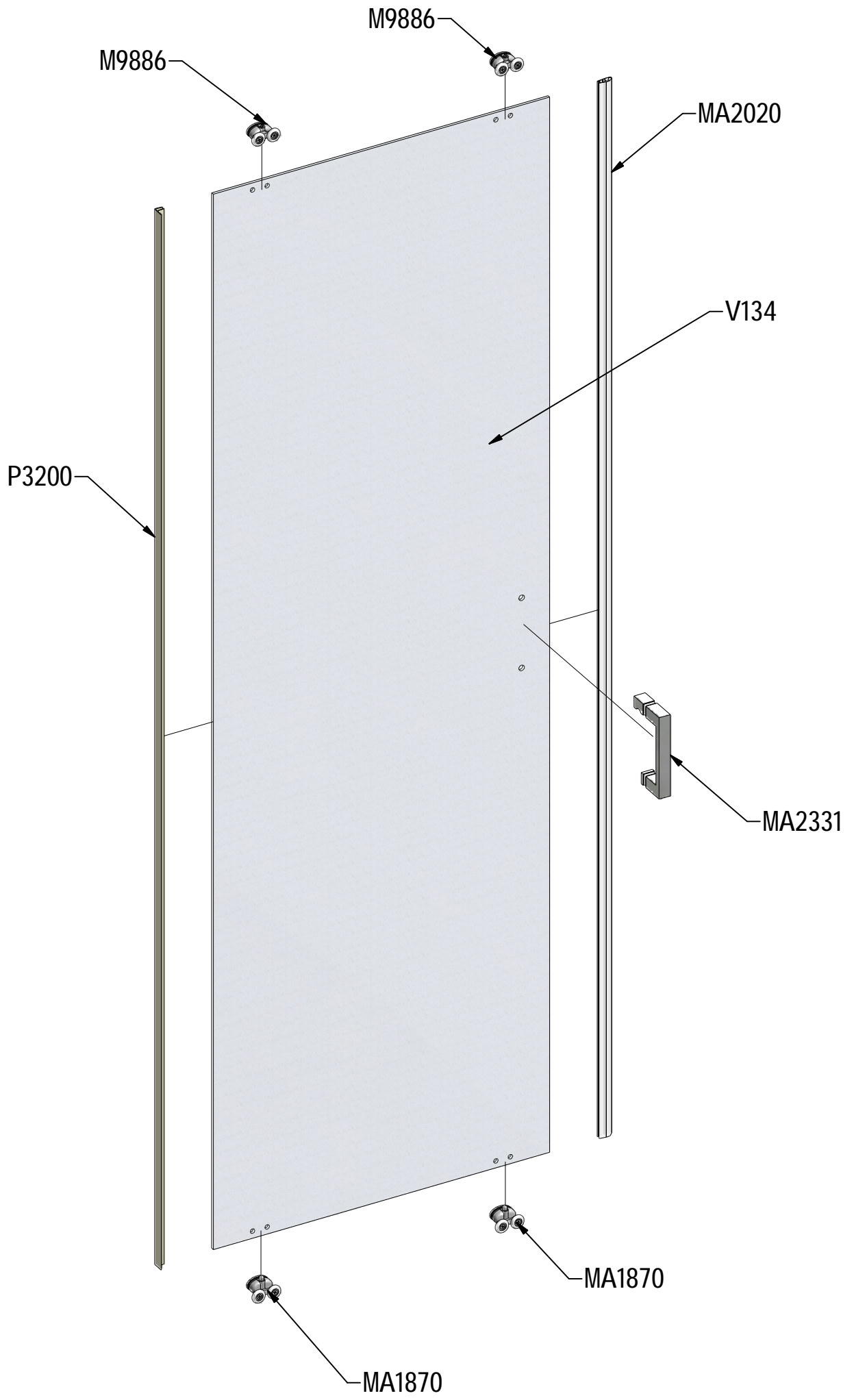
SILICONE

MIN 100mm

SILICONE







V132	1000	brillant+clear glass	ND03-0530-00-02
	1200	brillant+clear glass	ND03-0531-00-02
	1400	brillant+clear glass	ND03-0532-00-02
	1600	brillant+clear glass	ND03-0533-00-02

V134	1000	clear glass	ND02-0665-02
	1200	clear glass	ND02-0666-02
	1400	clear glass	ND02-0667-02
	1600	clear glass	ND02-0668-02

P168	1000	brillant	P3333
	1200		P3335
	1400		P3337
	1600		P3339

P169	1000	brillant	P3334
	1200		P3336
	1400		P3338
	1600		P3340

