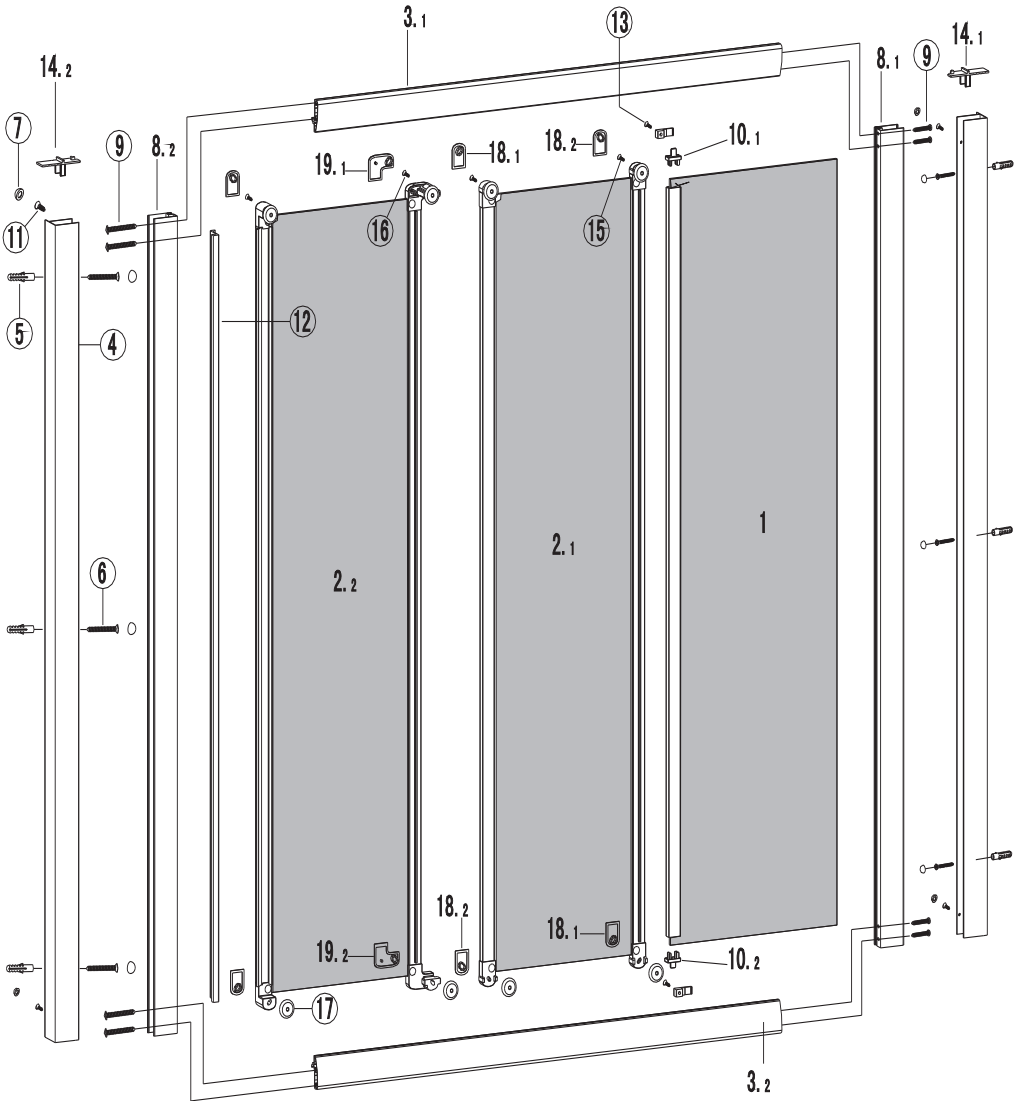
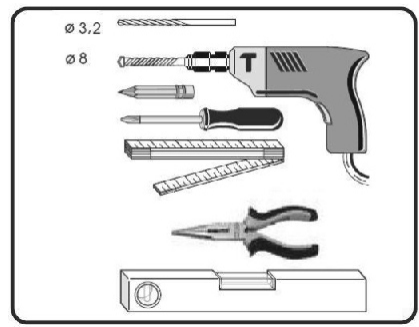
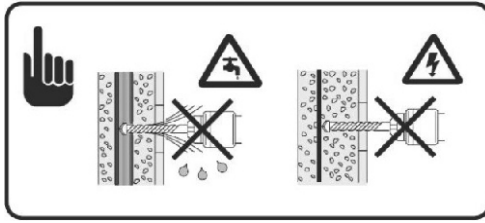
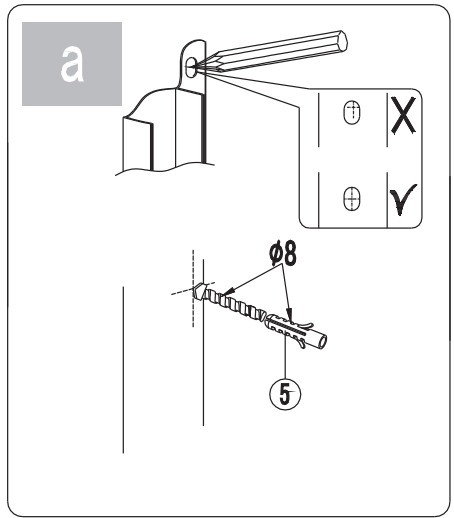
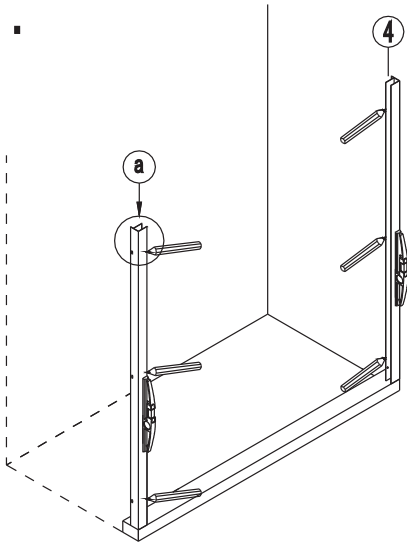


AZS200801-000/B

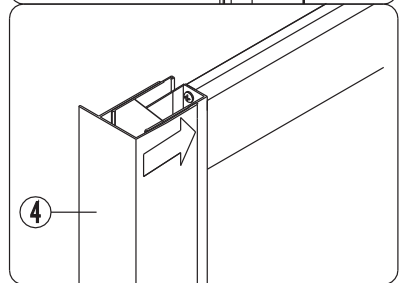
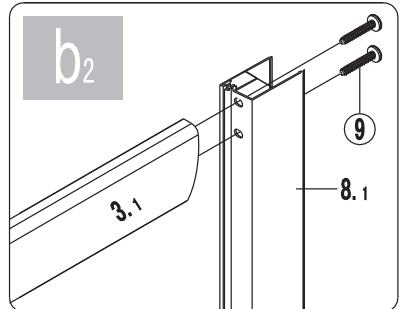
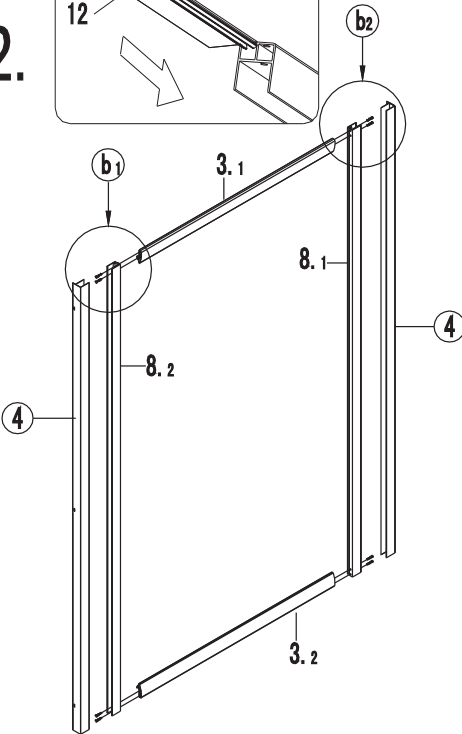
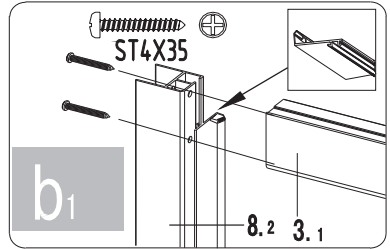
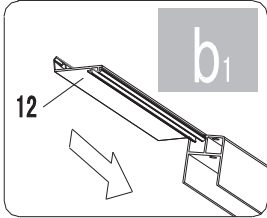


NO.	Designation	Pieces	NO.	Designation	Pieces
3.1		X1	12		X1
1		X1	13	ST4X10	X2
2.1		X1	14.1		X1
2.2		X1	14.2		X1
3.2		X1	15	M4X12	X4
4		X2	16	M4X25	X4
5		$\phi 8$ X7	17		X8
6	ST4X35	X7	18.1		X3
7		X11	18.2		X3
8.1		X2	19.1		X1
8.2			19.2		X1
9	ST4X35	X9	11	$\phi 8$ ST4X10  $\phi 3.2$	X5

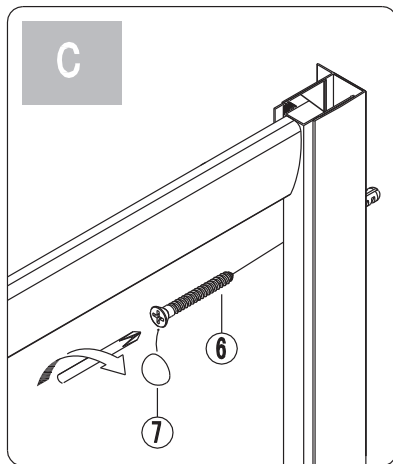
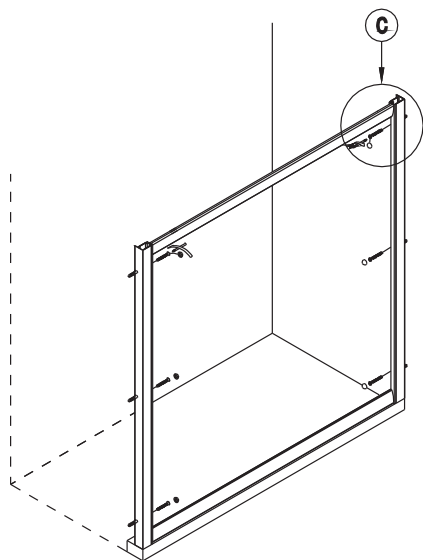
1.



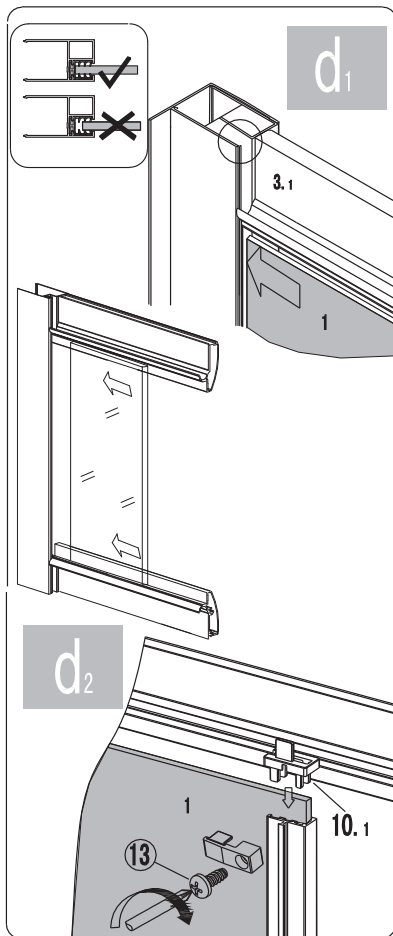
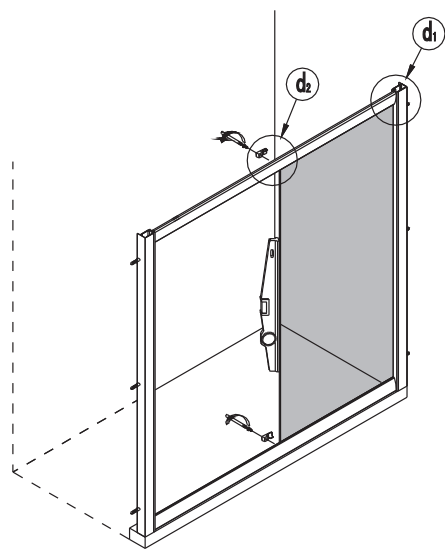
2.



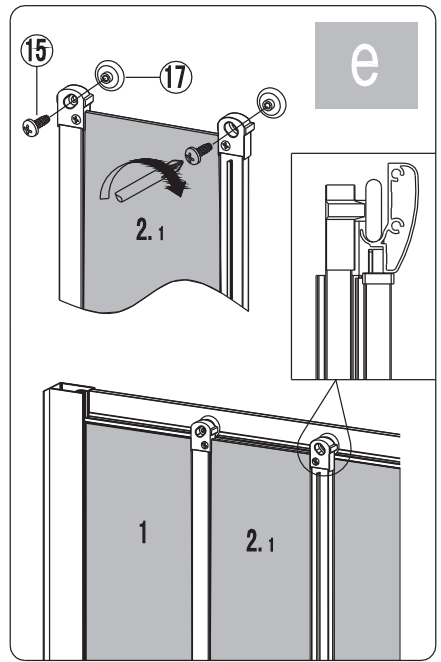
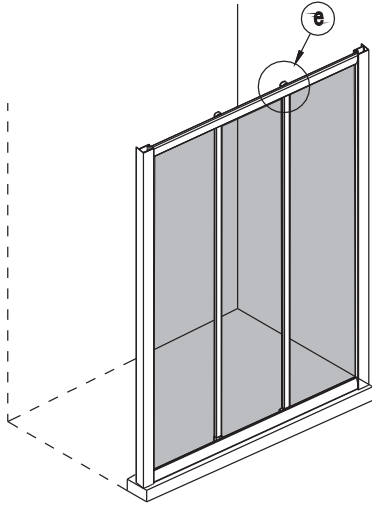
3.



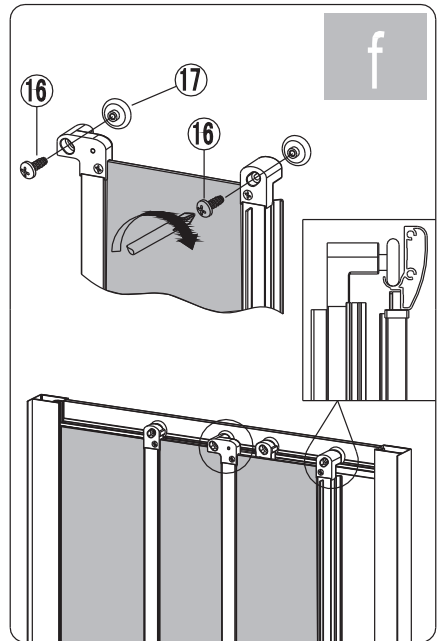
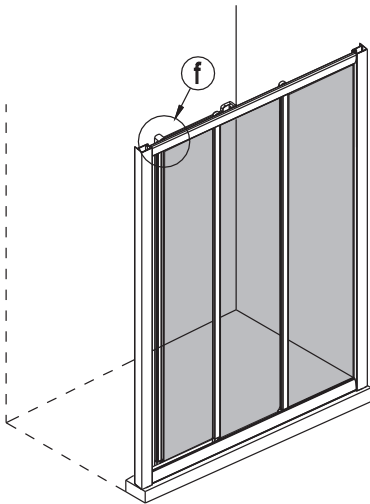
4.



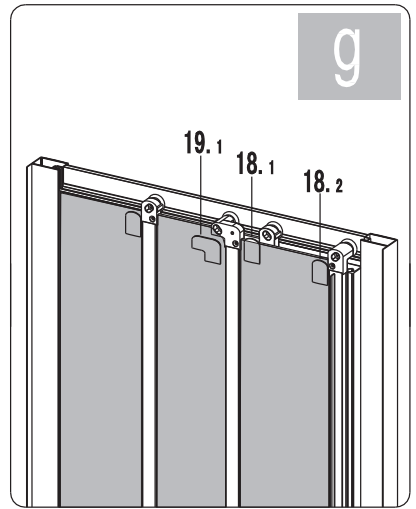
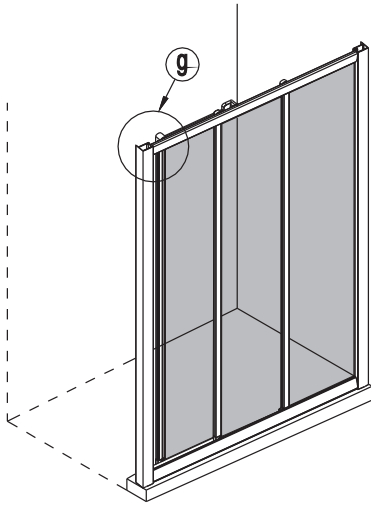
5.



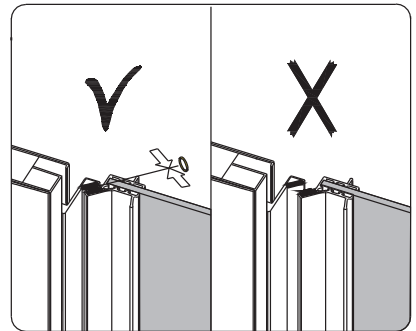
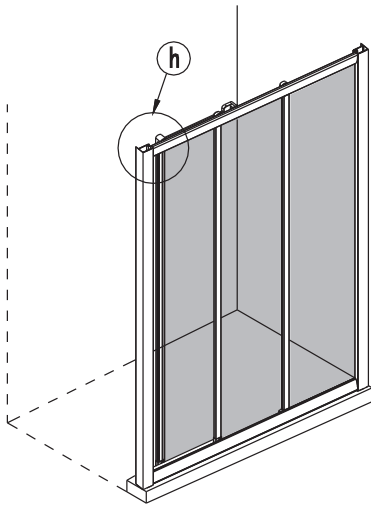
6.



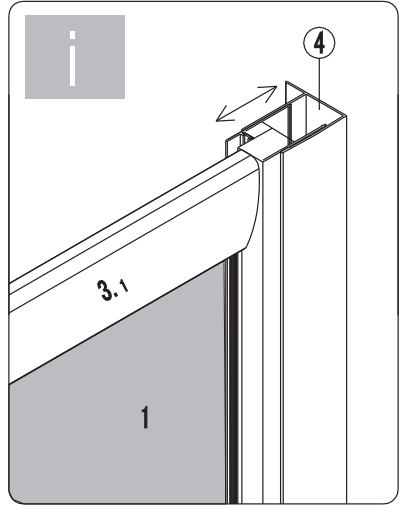
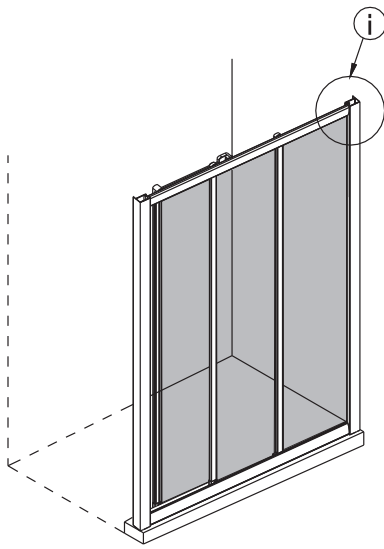
7.



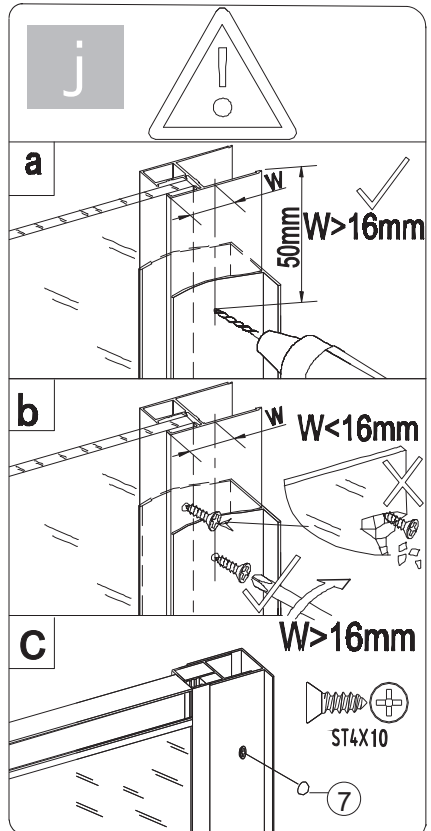
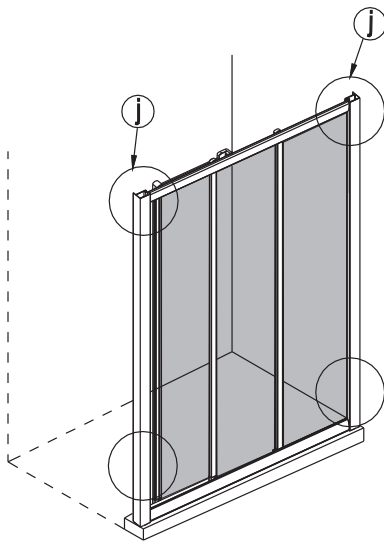
8.



9.

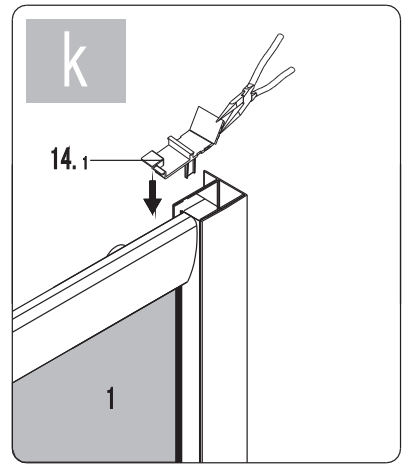
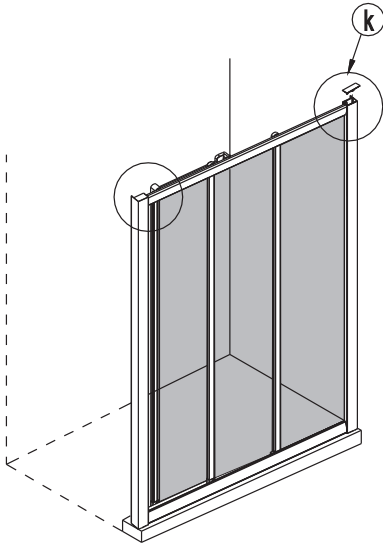


10.





11.



12.

